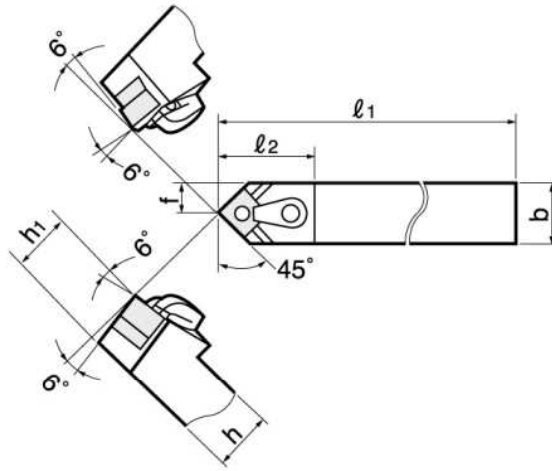
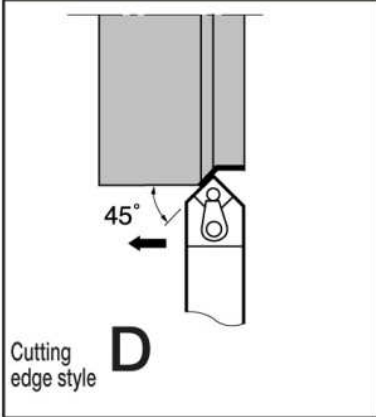










Turning • Chamfering

MSDNN



● Basic-choice chipbreaker

Appl.	Precision finishing	Finishing	Medium cutting	Roughing
Type	TF	TS	TM	TH
Shape	 (12)	 (12)	 (12)	 (12)

Appl.	Heavy cutting	Medium cutting	Medium cutting	
Type	65	SM	CM	Ceramics
Shape	 (12)	 (12)	 (12)	 (1204, 07)

For details see pp. 61 - 67

Cat. No.	Stock	Insert	Std. Corner R	Dimensions (mm)							Shim	Lock pin	Shim screw	Clamp	Clamping screw	Breaker piece	Lock pin wrench	Wrench
				h	b	l1	l	h1	f	f1								
MSDNN2020K12	△	SN□□1204□□	0.8	20	20	125	34	20	10.0	—	MSS-432	MLP46	—	MCPM-21	MCS625-3	—	P-2.5F	P-3
MSDNN2525M12	●			25	25	150	34	25	12.5	—		(MSP-6.3)			(CBS-4MN)			
MSDNN2020K12C		SN□□1207□□		20	20	125	34	20	10.0	—	MSS-432	—	MSP-6.3	MCPM-21	MCS625-3	CBS-4MN	P-2.5F	P-3
MSDNN2525M12C		(SN□□1206□□)		25	25	150	34	25	12.5	—	(MSS-442)	(MLP46L)						

Note : Parts in parenthesis are optional parts. For part assembly see p. 157.

Reference guide	Parts for M-type
	P. 157 ~ 159