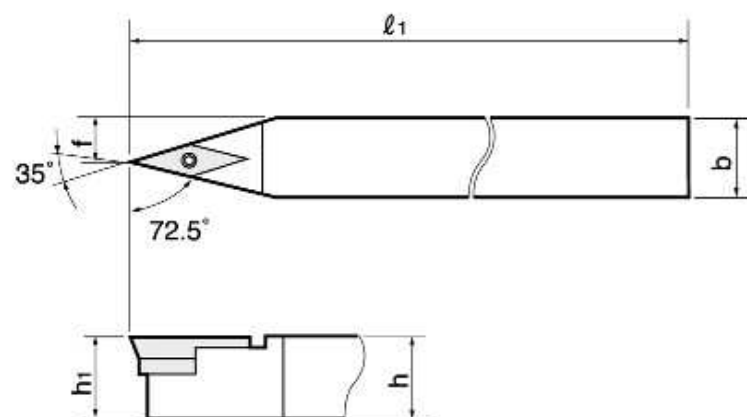


Profiling

SVVCN

Cutting edge style **V**



● **Basic-choice chipbreaker**

Appl.	Finishing to medium cutting	Medium cutting	Aluminium	Finishing
Type	PS	24	AL	PF
Shape	(16)	(16)	(16)	(16)

For details see p. 121

Cat. No.	Stock	Insert	Std. Corner R	Dimensions (mm)							Clamping screw	Wrench	Shim	Shim screw	Wrench
				h	b	l1	l2	h1	f	f1					
SVVCN 2020K16	●			20	20	125	—	20	10	—					
SVVCN 2525M16	●	VC□□1604□□	0.8	25	25	150	—	25	12.5	—	CSTB-3.5L	T-15F	SSV32	DTS5-3.5	P-3.5
SVVCN 3225P16				32	25	170	—	32	12.5	—					