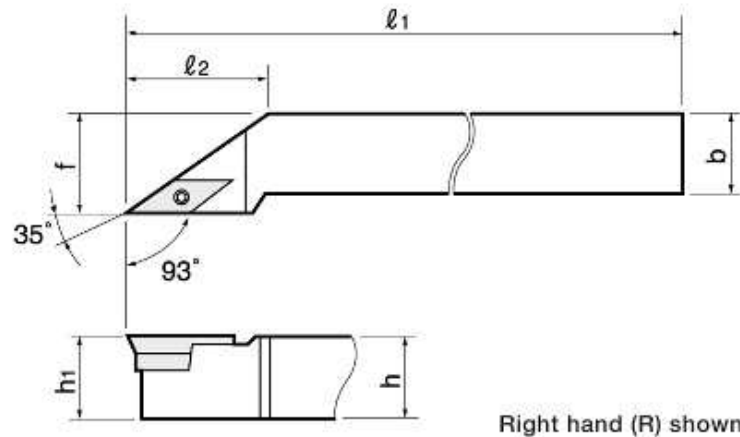


# S-type — Positive rake • Screw-on type

**Profiling**

**SVJC R/L**

Cutting edge style



## ● Basic-choice chipbreaker

Appl.	Finishing to medium cutting	Medium cutting	Aluminium	Finishing
Type	PS	24	AL	PF
Shape	(16)	(16)	(16)	(16)

For details see p. 121

Cat. No.	Stock		Insert	Std. Corner R	Dimensions (mm)						Clamping screw	Wrench	Shim	Shim screw	Wrench	
	R	L			h	b	l <sub>1</sub>	l <sub>2</sub>	h <sub>1</sub>	f						f <sub>1</sub>
SVJCR/L 1616H16	●	●	VC□□1604□□	0.8	16	16	100	40	16	20	—	CSTB-3.5L	T-15F	SSV32	DTS5-3.5	P-3.5
SVJCR/L 2020K16	●	●			20	20	125	40	20	25	—					
SVJCR/L 2525M16	●	●			25	25	150	40	25	32	—					
SVJCR/L 3225P16	●	●			32	25	170	40	32	32	—					