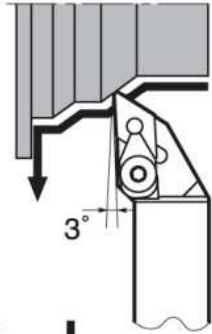
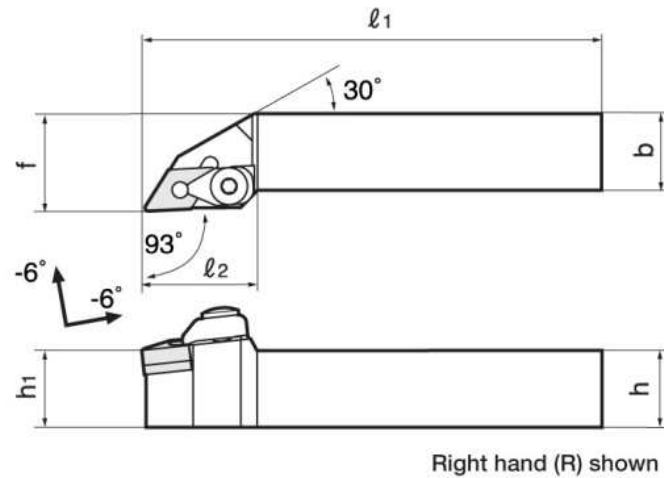


Profiling

DDJN R/L



Cutting edge style **J**



● Basic-choice chipbreaker

Appl.	Precision finishing	Finishing	Medium cutting	Roughing
Type	TF	TS	TM	TH
Shape	(1504)	(1504, 06)	(1504, 06)	(1504, 06)

Appl.	Medium cutting	Medium cutting	Precision finishing
Type	SM	CM	PCBN/PCD
Shape	(1504, 06)	(1504, 06)	(1504, 06)

For details see pp. 52 - 59

Cat. No.	Stock		Insert	Std. Corner R	Dimensions (mm)						Shim	Spring pin	Lever	Clamp	Clamping screw	Piston	Spring	Wrench								
	R	L			h	b	l1	l2	h1	f									f1							
DDJNR/L2020K15	●	●	DN□□1504□□	0.8	20	20	125	40	20	25	-	LSD42	LSP4	DLCL43	DCPM-43	DLCS43	DPIS43	BP-10	P-3							
DDJNR/L2525M15	●	●			25	25	150	40	25	32	-															
DDJNR/L3225P15	●	●			32	25	170	30	32	32	-															
DDJNR/L2020K1506	●	●	DN□□1506□□		0.8	20	20	125	40	20	25						-	LSD42		LSP4	DLCL43	DCPM-43	DLCS43	DPIS44	BP-10	P-4
DDJNR/L2525M1506	●	●				25	25	150	40	25	32						-									
DDJNR/L3225P1506	●	●				32	25	170	38	32	32						-									