



Outside Micrometers

SERIES 406, 106 — Non-Rotating Spindle Type

FEATURES

- Easy-to-read with large vernier on the thimble (series 106).
- With a standard except for 25mm model.
- With SPC output (series 406).

Technical Data

Accuracy: Refer to the list of specifications.
(excluding quantizing error for digital models)
Resolution*: 0.001mm or .00005"/0.001mm
Graduation**: 0.001mm or .0001"
Flatness: 0.3μm
Parallelism: 3μm for models up to 75mm*
4μm for models over 75mm*
1.6μm for models up to 50mm**
2μm for models over 50mm**
Measuring faces: Carbide tipped
Display*: LCD
Battery*: SR44 (1 pc.), **938882**
Battery life*: Approx. 1.2 years under normal use
*Digital models **Analog models

Function of Digital Model

Origin-set, Zero-setting, Data hold, Data output, inch/mm conversion (inch/mm models), Automatic power ON/OFF
Alarm: Low voltage, Counting value composition error

Optional Accessory for Digital Model

05CZA662: SPC cable with data switch (1m)
05CZA663: SPC cable with data switch (2m)



406-250



106-101

SPECIFICATIONS

Metric	Digital model with ratchet stop	
Range	Order No.	Accuracy
0 - 25mm	406-250	±3μm
25 - 50mm	406-251	±3μm
50 - 75mm	406-252	±3μm
75 - 100mm	406-253	±4μm

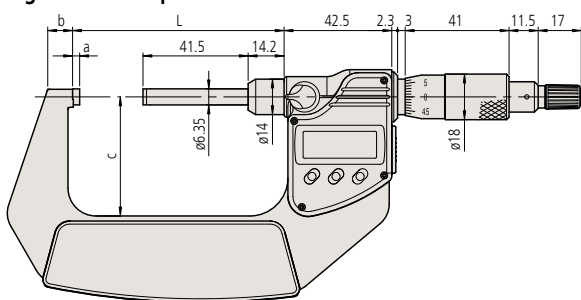
Metric	With ratchet thimble	
Range	Order No.	Accuracy
0 - 25mm	106-101	±2μm
25 - 50mm	106-103	±2μm
50 - 75mm	106-105	±3μm
75 - 100mm	106-106	±3μm

Inch/Metric	Digital model with ratchet stop	
Range	Order No.	Accuracy
0 - 1"	406-350	±.00015"
1" - 2"	406-351	±.00015"
2" - 3"	406-352	±.00015"
3" - 4"	406-353	±.0002"

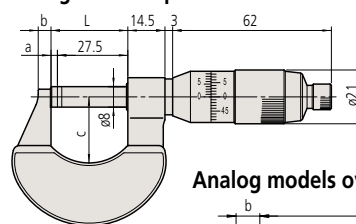
Inch	With friction thimble	
Range	Order No.	Accuracy
0 - 1"	106-102	±.0001"
1" - 2"	106-104	±.0001"

DIMENSION

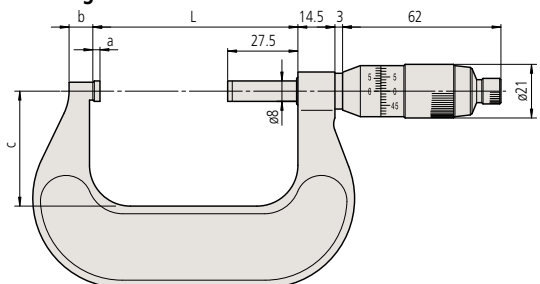
Digital models up to 75mm



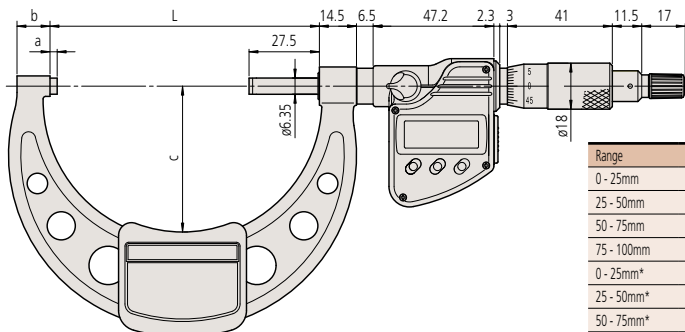
Analog models up to 50mm



Analog models over 50mm



Digital models over 75mm



Range	L	a	b	c
0 - 25mm	58.2	2.5	7.3	32
25 - 50mm	83.2	2.5	10.1	47
50 - 75mm	108.2	2.5	11.5	60
75 - 100mm	105.3	2.8	14.1	57
0 - 25mm*	30	2.5	5	25.8
25 - 50mm*	55	2.5	8	32.3
50 - 75mm*	80.3	2.8	10.3	45
75 - 100mm*	105.3	2.8	10.7	58

*Analog model

Unit: mm