



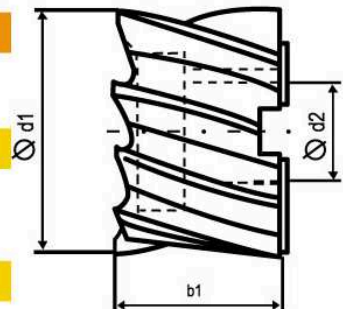
FACE MILLING CUTTER

FC

焊刃式筒型平面立銑刀

unit:mm

Order Code.	d1	b	d2	Z
FC-0554506	55	45	25.4	6
FC-0605006	60	50	25.4	6
FC-0607006	60	70	25.4	6
FC-0755008	75	50	31.75	8
FC-1005508	100	55	31.75	8



FC

MG
Micro

Z
Flute

H6

BW
NORM