

Dial Height Gage

SERIES 192 — with Digital Counter

FEATURES

- Easy and error-free reading with both up and down digital counters as well as a dial.
- Provided with a feed wheel for easy coarse feeding.
- Carbide-tipped scriber is provided.



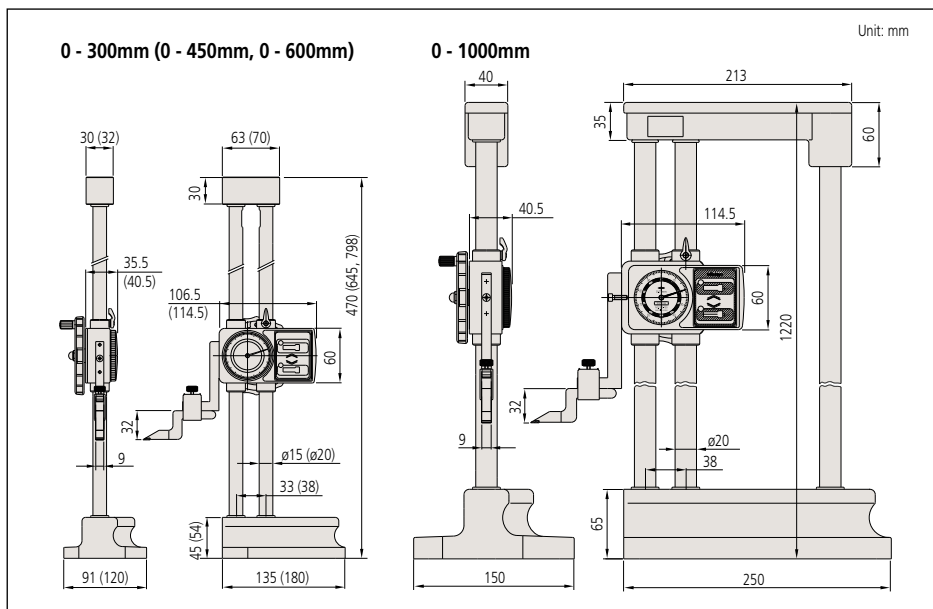
192-130

SPECIFICATIONS

Metric		
Range	Order No.	Accuracy
0 - 300mm	192-130	±0.03mm
0 - 450mm	192-131	±0.05mm
0 - 600mm	192-132	±0.05mm
0 - 1000mm	192-133	±0.07mm

Inch		
Range	Order No.	Accuracy
0 - 12"	192-150	±.0015"
0 - 18"	192-151	±.002"
0 - 24"	192-152	±.002"
0 - 40"	192-153	±.003"

DIMENSION



Technical Data

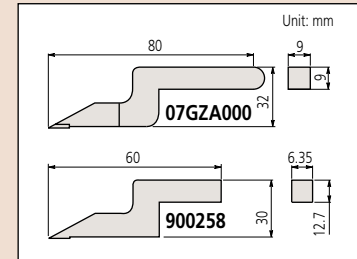
Accuracy: Refer to the list of specifications.
Dial reading: 0.01mm or .001"

Standard Scriber Provided

Metric models: Carbide-tipped scriber (07GZA000) and scriber clamp (05GZA033)

Inch/Metric models: Carbide-tipped scriber (900258) and scriber clamp (901385)

Dimension of scriber



Optional Accessory

- 953638: Holding bar for test indicator (length: 50mm)
- 900209: Holding bar for test indicator (length: 100mm)
- 953639: Holding bar for test indicator (length: 2")
- 900306: Holding bar for test indicator (length: 4")
- 900321: Swivel clamp used with holding bar (metric)
- 900322: Swivel clamp used with holding bar (inch)



Fitted in your arm



Easy and secure clamping



Easy and error free reading