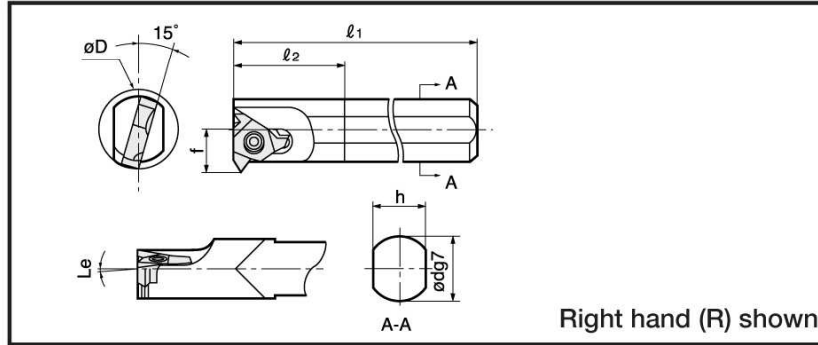
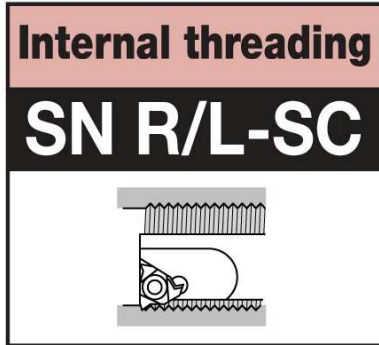


# Screw-on type, carbide shank



Cat. No.	Stock		Insert	Min. threading dia.	Dimensions (mm)						Lead angle	Clamping-set	Shim set		Clamping screw	Wrench
	R	L			$\varnothing D$	$\varnothing d$	f	$\ell_1$	$\ell_2$	h			b	Le		
SNR/L0010M11SC	●		11NR/L□□□□	13	10	7.4	150	17	9	—	1°					
SNR/L0010M11SC-2	○			13	10	7.4	150	17	9	—	2°					
SNR/L0010M11SC-3	○			13	10	7.4	150	17	9	—	3°					
SNR/L0012P11SC	●			15	12	8.5	170	20	11	—	1°	—	—	—	CSTB-2.5	T-8F
SNR/L0012P11SC-2	○			15	12	8.5	170	20	11	—	2°					
SNR/L0012P11SC-3	○			15	12	8.5	170	20	11	—	3°					
SNR/L0016R16SC	●	●	16NR/L□□□□	20	16	11.9	200	24	15	—	1°					
SNR/L0016R16SC-2	○			20	16	11.9	200	24	15	—	2°	—	—	—	CSTB-3.5	T-15F
SNR/L0016R16SC-3				20	16	11.9	200	24	15	—	3°					

Thread types P. 230	Reference guide
------------------------	--------------------