

Quickmike

SERIES 293 — IP-54 ABSOLUTE Digimatic Micrometers

The Quickmike provides a speedy spindle feed of 10mm per thimble rotation as compared to the conventional micrometer with 0.5mm per rotation. Its wide 30mm measuring range allows various workpieces with different shapes to be measured quickly.

FEATURES

- Non-rotating spindle and the new ratchet friction thimble.
- Speedy spindle feed of 10mm/rev.
- With absolute linear scale.
- IP54 dust/water protection (when not connected with data output cable).
- With SPC data output.
- With a standard bar to set the origin point (for models with a range over 30mm).

SPC

IP54

(Refer to the page 9 for details.)

ABSOLUTE®
Absolute System Patented by MITUTOYO

(Refer to the page 9 for details.)



293-666



293-667



293-668



293-669

Technical Data

Accuracy: Refer to the list of specifications.
(excluding quantizing error)
Resolution: 0.001mm or .00005"/0.001mm
Flatness: 0.3µm
Parallelism: 2µm for models up to 80mm
3µm for models up to 105mm
Measuring faces: Carbide tipped
Display: LCD
Battery: SR44 (1 pc.), 938882
Battery life: Approx. 3 years under normal use
(1 year for models over 30mm)
Dust/Water protection level: IP54

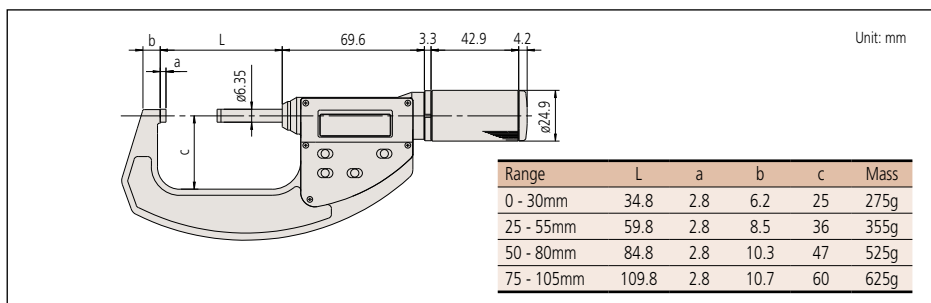
SPECIFICATION

| Metric | | |
|------------|-------------|----------|
| Range | Order No. | Accuracy |
| 0 - 30mm | 293-666 | ±2µm |
| | 293-661-10* | ±2µm |
| 25 - 55mm | 293-667 | ±2µm |
| 50 - 80mm | 293-668 | ±3µm |
| 75 - 105mm | 293-669 | ±3µm |

*Without SPC data output

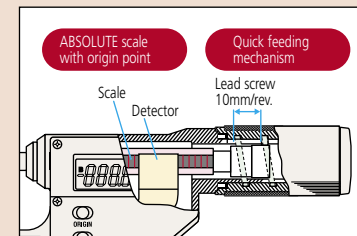
| Inch/Metric | | |
|-------------|-----------|----------|
| Range | Order No. | Accuracy |
| 0 - 1.2" | 293-676 | ±.0001" |
| 1" - 2.2" | 293-677 | ±.0001" |
| 2" - 3.2" | 293-678 | ±.00015" |
| 3" - 4.2" | 293-679 | ±.00015" |

DIMENSION AND MASS



Function

Origin-set, Zero-setting, Power ON/OFF, Data hold, Data output, inch/mm conversion (inch/mm models)
Alarm: Low voltage, Counting value composition error



Optional Accessory

937387: SPC cable (1m)
965013: SPC cable (2m)