



**CHUCK**

# 2-Jaw Scroll Chuck

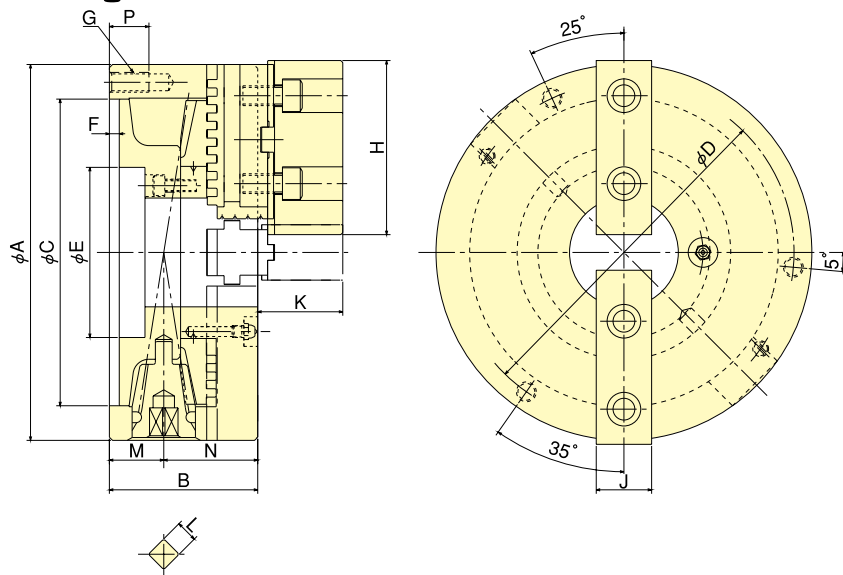
## JT series

This two jaw chuck provides the optimum solution for gripping valves, pipe joints and other irregularly shaped components



- Straight recess  
Mounting dimensions are the same as the JN type.

### Dimensional Drawings



### Dimensions

Type	Size	A	B	C Size	C Tolerance	D Size	D Tolerance	E	F	G	H	J	K	L Size	L Tolerance	M	N	P
JT07		190	75	155	+0.025 0	172	±0.2	55	5	3-M10	88	28	43	11	+0.15 +0.05	27.5	47.5	20
JT09		232	84	190	+0.029 0	210	±0.2	70	6	3-M12	100	32	50	12	+0.15 +0.05	29.5	54.5	23

### Specifications

Type	Spec.	Thru-Hole mm	Max. static gripping force kN(kgf)	Max. speed min <sup>-1</sup> (r.p.m)	Weight (with standard jaws) kg	Moment of inertia kg·m <sup>2</sup>	Gripping range		Matching soft jaw	Handle torque N·m(kgf·m)
							Outer dia.φmm	Inner dia.φmm		
JT07		55	20.7(2110)	3500	12.6	0.065	4~180	62~170	For JT07	73.5 ( 7.5)
JT09		70	24.7(2518)	2900	21.4	0.160	5~220	70~210	For JT09	98.0 (10.0)

Scroll chuck