

Digimatic Height Gage

SERIES 192 — Multi-function Type with SPC Data Output

FEATURES

- Highly versatile multi-function type.
- Carbide-tipped long scriber is provided.
- Rigid construction ensures repeatable measurement.
- Two-directional touch-signal probe is an optional accessory. It can quickly and accurately measure steps, inside width, and outside width.
- With SPC data output.



192-663-10

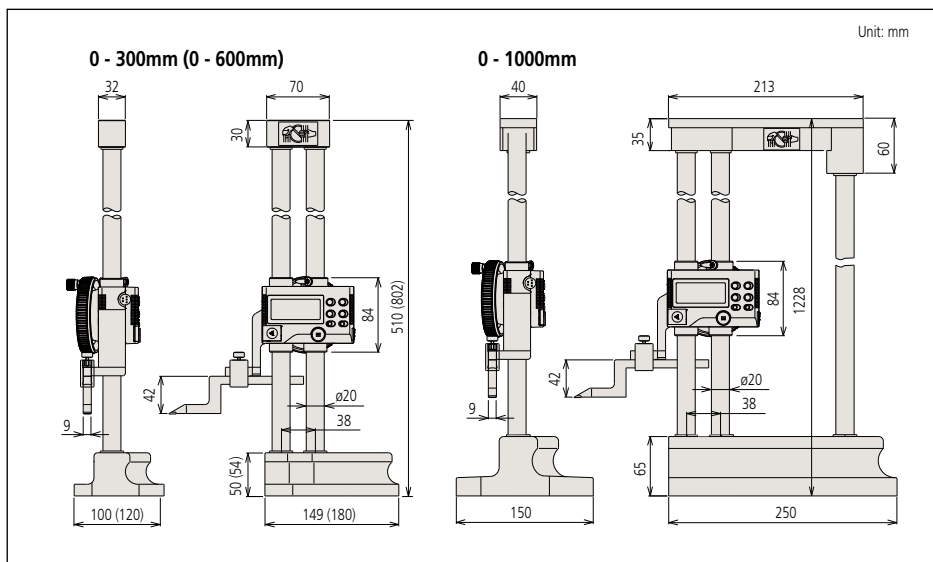


SPECIFICATIONS

Metric		
Range	Order No.	Accuracy
0 - 300mm	192-663-10	±0.02mm
0 - 600mm	192-664-10	±0.04mm
0 - 1000mm	192-665-10	±0.06mm

Inch/Metric		
Range	Order No.	Accuracy
0 - 12"	192-670-10	±.001"
0 - 18"	192-671-10	±.0015"
0 - 24"	192-672-10	±.0015"
0 - 40"	192-673-10	±.0025"

DIMENSION



Technical Data

Accuracy: Refer to the list of specifications.
(excluding quantizing error for digital models)

Resolution: 0.01mm (0.005mm) or
.0005"/0.01mm (.0002"/0.005mm)

Display: LCD, 6-digit
Max. response speed: 500mm/s

Battery: SR44 (1 pc.), **938882**

Battery life: Approx. 3,500 hours under normal use

Function

Zero-setting, ABS/INC switching, Presetting (2 positions),
Probe tip diameter compensation, +/- switching, Power ON/
OFF, Data hold, Data output, inch/mm conversion (inch/mm
models)

Alarm: Low voltage, Counting value composition error

Standard Scriber Provided

Metric models: Carbide-tipped scriber (**905200**) and
scriber clamp (**05GZA033**)

Inch/Metric models: Carbide-tipped scriber (**905201**) and
scriber clamp (**901385**)

Optional Accessory

- 905338**: SPC cable (1m)
- 905409**: SPC cable (2m)
- 905691**: SPC cable (L-shape, 1m)
- 905692**: SPC cable (L-shape, 2m)
- 192-007**: Two-directional touch-signal probe (metric)
- 192-008**: Two-directional touch-signal probe (inch)
- 953638**: Holding bar for test indicator (length: 50mm)
- 900209**: Holding bar for test indicator (length: 100mm)
- 953639**: Holding bar for test indicator (length: 2")
- 900306**: Holding bar for test indicator (length: 4")
- 900321**: Swivel clamp used with holding bar (metric)
- 900322**: Swivel clamp used with holding bar (inch)

