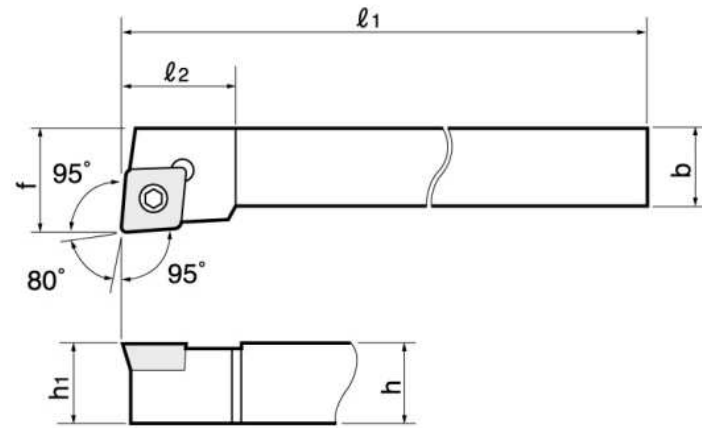


S-type — Positive rake • Screw-on type

Turning • Facing

SCLC R/L

Cutting edge style **L**



Right hand (R) shown

● Basic-choice chipbreaker

Appl.	Finishing to medium cutting	Finishing	Finishing to medium cutting	Medium cutting
Type	W□□	PF	PS	PM
Shape	(06, 09)	(06, 09)	(06, 09)	(06, 09)

Appl.	Precision finishing	Finishing to medium cutting	Finishing to medium cutting	Aluminium
Type	PCBN/PCD	J□□	—	AL
Shape	(06, 09)	(06, 09)	(06, 09)	(06, 09, 12)

For details see pp. 92 - 95

Cat. No.	Stock		Insert	Std. Corner R	Dimensions (mm)						Clamping screw	Wrench	Shim	Shim screw	Wrench	
	R	L			h	b	l ₁	l ₂	h ₁	f						f ₁
SCLCR/L1212H			CC□□0602□□	0.4	12	12	100	12	12	16	—	CSTB-2.5	T-8F	—	—	—
SCLCR/L1616H			CC□□09T3□□	0.8	16	16	100	16	16	20	—	CSTB-4	T-15F	—	—	—
SCLCR/L1616H09	●	●			16	16	100	16	16	20	—	CSTB-3.5L	T-15F	SSC32	DTS5-3.5	P-3.5
SCLCR/L2020K12	○	○	CC□□1204□□		20	20	125	20	20	25	—	CSTB-4F	T-15F	SSC4T3	DTS6-4	P-4