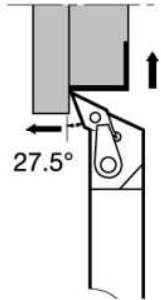


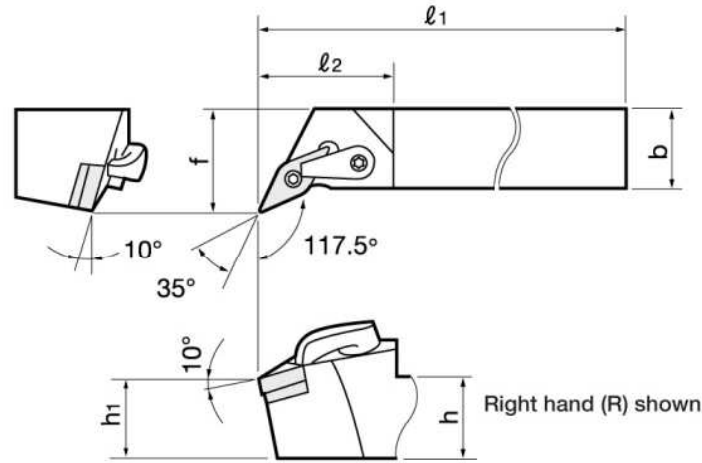
Profiling

MVQN R/L



Cutting edge style

Q



● Basic-choice chipbreaker

Appl.	Precision finishing	Finishing	Medium cutting	Medium cutting
Type	TF	TS	TM	CM
Shape	(16)	(16)	(16)	(16)

Appl.	Precision finishing	Medium cutting		
Type	PCBN	SM		
Shape	(16)	(16)		

For details see pp. 83 - 87

Cat. No.	Stock		Insert	Std. Corner R	Dimensions (mm)						Shim	Lock pin	Shim screw	Clamp	Clamping screw	Breaker piece	Lock pin wrench	Wrench	
	R	L			h	b	l1	l	h1	f	f1								
MVQNR/L2020K16	●	●	VN□□1604□□	0.8	20	20	125	40	20	25	—	MSV-322	MLP34L	—	MCPM-22	MCS625-3	—	P-2F	P-3
MVQNR/L2525M16	●	●			25	25	150	40	25	32	—								
MVQNR/L3225P16	●	●			32	25	170	40	32	32	—								
MVQNR/L3232P16	●				32	32	170	40	32	40	—								

Note : Parts in parenthesis are optional parts. For part assembly see p. 157.