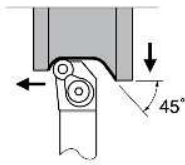
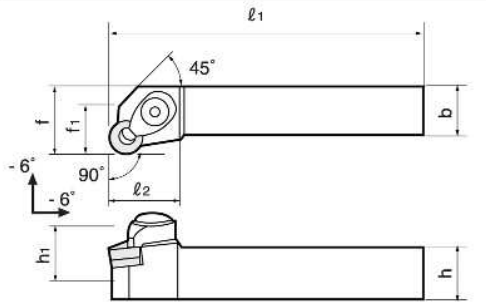


O. D. Profiling

DRGN R/L



Cutting edge style **G**



Right hand (R) shown

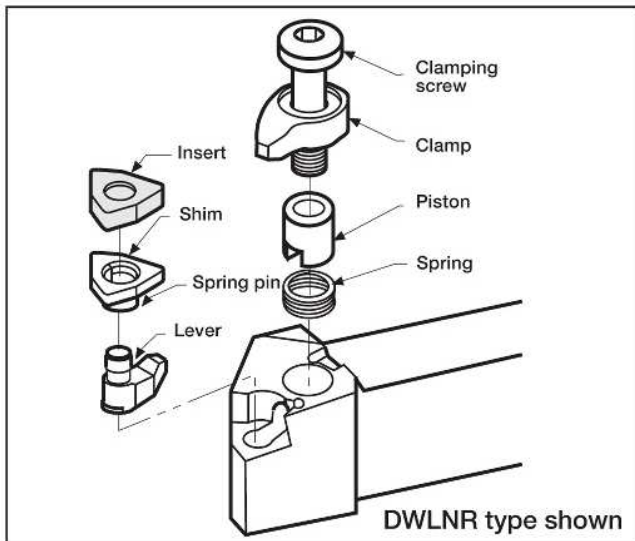
● Basic-choice chipbreaker

Appl.		Heavy cutting		
Type	—	61		
Shape				
	(12)	(12)		

Appl.				
Type				
Shape				

For details see p. 88

Cat. No.	Stock		Insert	Std. Corner R	Dimensions (mm)								Shim	Spring pin	Lever	Clamp	Clamping screw	Piston	Spring	Wrench
	R	L			h	b	l1	l2	h1	f	f1									
DRGN R/L2525M12	●	○	RN□□120400	—	25	25	150	28	25	32	18	LSR42	LSP4	DLCL43	DCPM-43	DLCS43	DPIS43	BP-10		P-3
																				P-4



DWLNR type shown