

ABSOLUTE Digimatic Indicator ID-C

SERIES 543 — with Max./Min. Value Holding Function

With max./min. value holding function model of the ID-C Series Digimatic Indicators.

FEATURES

- The maximum, minimum, or runout value can be displayed during measurement.
- GO/±NG judgment is performed by setting the upper and lower tolerances for max., min. and runout values.
- High speed sampling ratio of 50 times/s.



543-262

SPECIFICATIONS

Metric			
Resolution	Order No.*	Range	Accuracy
0.001mm	543-260	12.7mm	0.003mm

*Back with lug

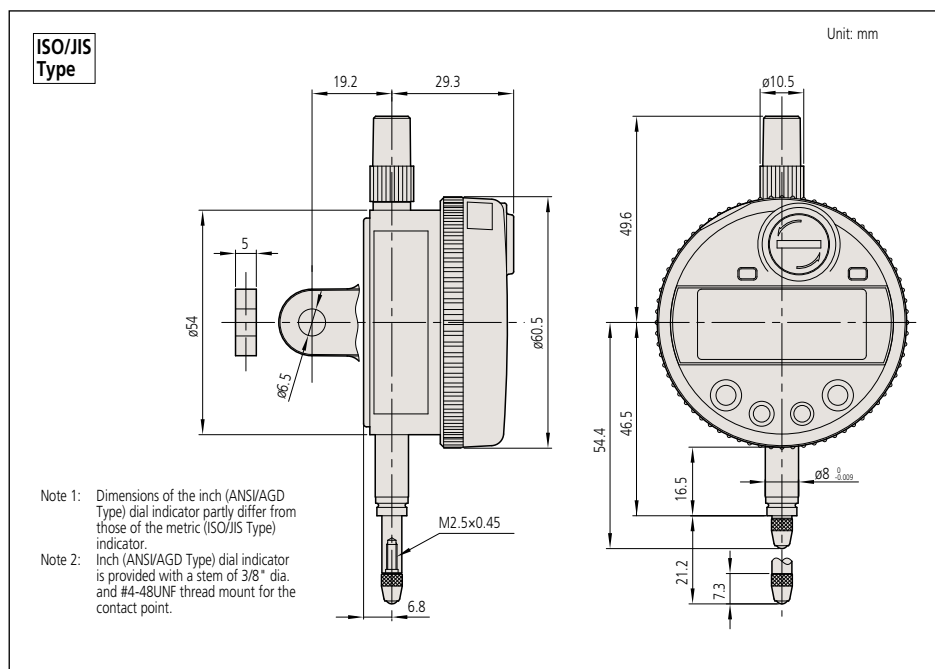
ISO/JIS type

ANSI/AGD type

Inch/Metric			
Resolution	Order No.*	Range	Accuracy
.00005"/0.001mm	543-261	.5"	.00012"
.00005"/0.001mm	543-262	.5"	.00012"
.0001"/0.001mm	543-263	.5"	.00012"

*Back with lug

DIMENSION



(Refer to the page 9 for details.)

Technical Data

Accuracy: Refer to the list of specifications (excluding quantizing error)
 Resolution: 0.001mm, .00005"/0.001mm or .0001"/0.001mm
 Display: LCD
 Length standard: ABSOLUTE electrostatic capacitance type linear encoder
 Max. response speed: Unlimited
 Measuring force: 1.5N or less
 Stem dia.: 8mm (ISO/JIS type) or 3/8" (ANSI/AGD type)
 Contact point: Carbide ball with M2.5x0.45 (ISO/JIS type) Carbide ball with #4-48UNF (ANSI/AGD type)
 Battery: SR44 (2 pcs.), **938882**
 Battery life: Approx. 800 - 1300 hours under normal use
 Dust/Water protection level: IP42

Function

Origin-set/Preset, Zeroset, GO/±NG judgment, Max/Min/Runout value holding, Counting direction switching, Power ON/OFF, Data output, inch/mm conversion (inch/mm models)
 Alarm: Low voltage, Counting value composition error, Over-flow error, Tolerance limit setting error

Optional Accessory

- 905338: SPC cable (1m)
- 905409: SPC cable (2m)
- 902011: Spindle lifting lever (ISO/JIS type)
- 902794: Spindle lifting lever (ANSI/AGD type)
- 540774: Spindle lifting cable
- Backs (See page 266.)
- Contact points (See page 264.)