

Outside Micrometers

SERIES 102



(Refer to the page 9 for details.)

Technical Data

Accuracy: Refer to the list of specifications.
 Graduation: 0.01mm, 0.001mm, .001" or .0001"
 Flatness: 0.6μm
 Parallelism: 2μm for 25mm model
 3μm for models up to 100mm
 Measuring faces: Carbide tipped

Ratchet stop type



Friction thimble type



FEATURES

- Heat-insulated frame, tapered (on the anvil side) for hard-to-reach places.
- With a standard except for 25mm model.
- A ratchet stop or friction thimble for a constant measuring force.



SPECIFICATIONS

Metric With ratchet stop		
Range	Order No.	Accuracy
0 - 25mm	102-301	±2μm
	102-307*	±2μm
25 - 50mm	102-302	±2μm
	102-308*	±2μm
50 - 75mm	102-303	±2μm
75 - 100mm	102-304	±3μm

*0.001mm reading is obtained with vernier.

Inch With ratchet stop		
Range	Order No.	Accuracy
0 - 1"	102-321	±.0001"
	102-327*	±.0001"
1" - 2"	102-322	±.0001"
	102-328*	±.0001"
2" - 3"	102-323	±.0001"
3" - 4"	102-324	±.00015"

*.0001" reading is obtained with vernier.

Metric With friction thimble		
Range	Order No.	Accuracy
0 - 25mm	102-305	±2μm
	102-309*	±2μm
25 - 50mm	102-306	±2μm
	102-310*	±2μm

*0.001mm reading is obtained with vernier

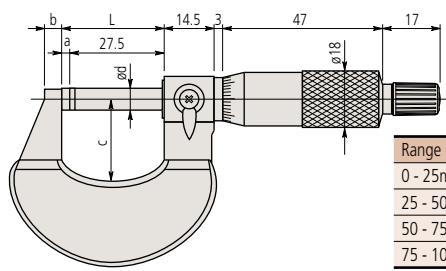
Inch With friction thimble		
Range	Order No.	Accuracy
0 - 1"	102-325	±.0001"
	102-329*	±.0001"
1" - 2"	102-326	±.0001"
	102-330*	±.0001"

*.0001" reading is obtained with vernier.

Metric Micrometer set		
Range	Order No.	Assortment of micrometers
0 - 100mm (4 mikes/set)	102-911-01	<ul style="list-style-type: none"> • 102-701* 102-302 102-303 102-304 • 3 micrometer standards

*Ratchet thimble micrometer.

DIMENSION



Unit: mm

Range	L	a	b	c	d
0 - 25mm	30.3	2.8	5	26	6.35
25 - 50mm	55.3	2.8	8	32	6.35
50 - 75mm	80.3	2.8	9	45	6.35
75 - 100mm	105.3	2.8	10	58	6.35

Note: The shape of the thimble changes on the model with friction thimble.