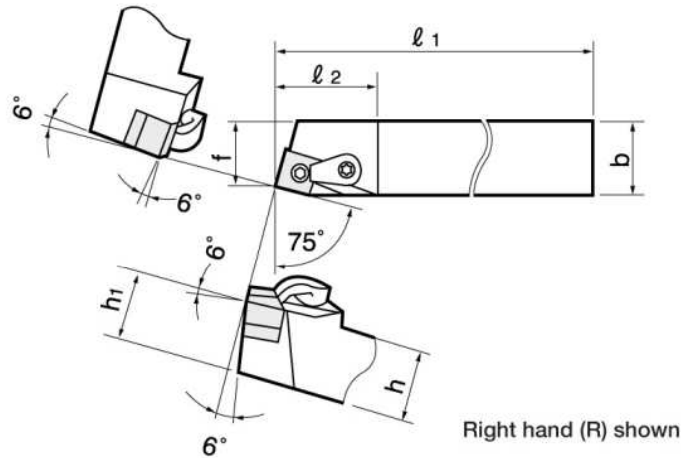
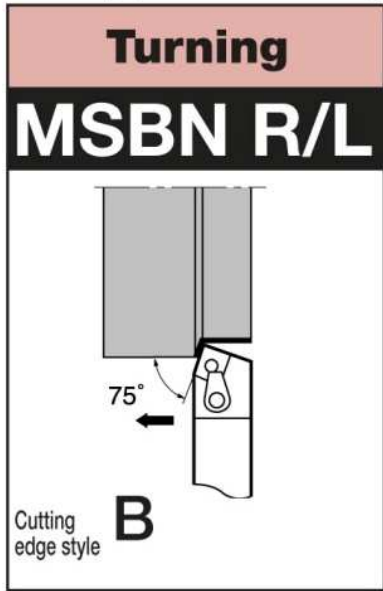


# M-type — Negative rake • Multi-clamp type

TAC Toolholder



● Basic-choice chipbreaker

Appl.	Precision finishing	Finishing	Medium cutting	Roughing
Type	<b>TF</b>	<b>TS</b>	<b>TM</b>	<b>TH</b>
Shape	(12)	(12)	(12)	(12)

Appl.	Heavy cutting	Medium cutting	Medium cutting	
Type	<b>65</b>	<b>SM</b>	<b>CM</b>	<b>Ceramics</b>
Shape	(12)	(12)	(12)	(1204, 07)

For details see pp. 61- 67

Cat. No.	Stock		Insert	Std. Corner R	Dimensions (mm)							Shim	Lock pin	Shim screw	Clamp	Clamping screw	Breaker piece	Lock pin wrench	Wrench
	R	L			h	b	l <sub>1</sub>	l	h <sub>1</sub>	f	f <sub>1</sub>								
MSBNR/L2020K12	△	△	SN□□1204□□	0.8	20	20	125	33.5	20	17	—	MSS-432	MLP46	—	MCPM-21	MCS625-3	—	P-2.5F	P-3
MSBNR/L2525M12	●	●			25	25	150	33.5	25	22	—	(MSP-6.3)	(CBS-4M)						
MSBNR/L2020K12C			SN□□1207□□		20	20	125	33.5	20	17	—	MSS-432	—	MSP-6.3	MCPM-21	MCS625-3	CBS-4M	P-2.5F	P-3
MSBNR/L2525M12C	●	●	(SN□□1206□□)		25	25	150	33.5	25	22	—	(MSS-442)	(MLP46L)						

Note : Parts in parenthesis are optional parts. For part assembly see p. 157.