

Dik Bağlama Elemanları

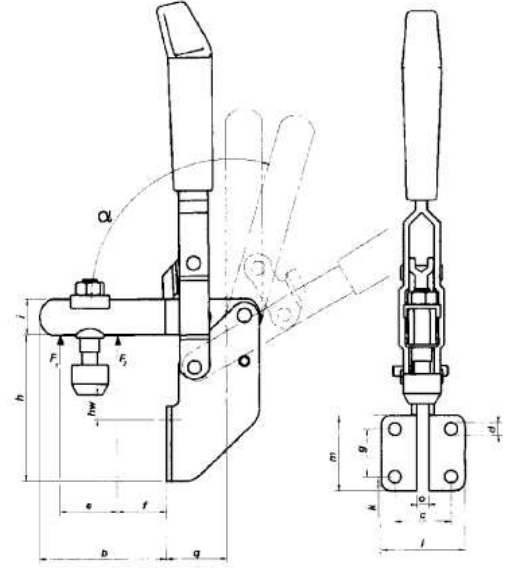
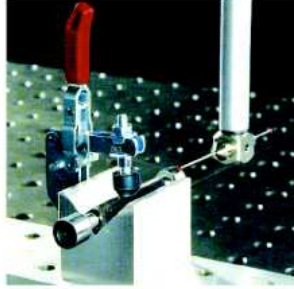
Galvaniz kaplı, kırmızı renkte ve yağa mukavim plastik tutma saplı, sertleştirilmiş ve yağlanmış yataklama burçlu. Baskı civatası ve koruyucu lastik başlık ile birlikte komple.

Vertical acting toggle clamps

with open clamping arm and vertical base.

Galvanized and passivated. Rivets of stainless steel running in case hardened bushing, with bearing spots greased. Ergonomic handle of red high quality oil-resistant plastic.

Supplied complete with tempered, galvanized clamping screw no.803



Boy Size	F1 (kN)	F2 (kN)			hw		
1	0.8	1.1	132	60	-1.5 ÷ 5.5	M5 x 30	125
2	1.0	1.2	135	76	2 ÷ 11	M6 x 35	220
3	1.8	2.5	235	105	6 ÷ 18	M8 x 45	470
4	2	3	270	141	11 ÷ 40	M8 x 65	650

Boy / Size	a	b	c	d	e	f	g	h	i	k	l	m	o	q	a
1	5	38	18	4.5	19	8	14	45	10	5.5	28	25	6	16	105°
2	6	40	25.5	6	25	9	22	61	12	6	37	34	5	24	105°
3	8.2	58	31.5	7.5	30	14	24	73	18	7	45	39	6	31	105°
4	10	77.5	38	8.5	35	19	28	77	20	7	60	42	8	35	105°