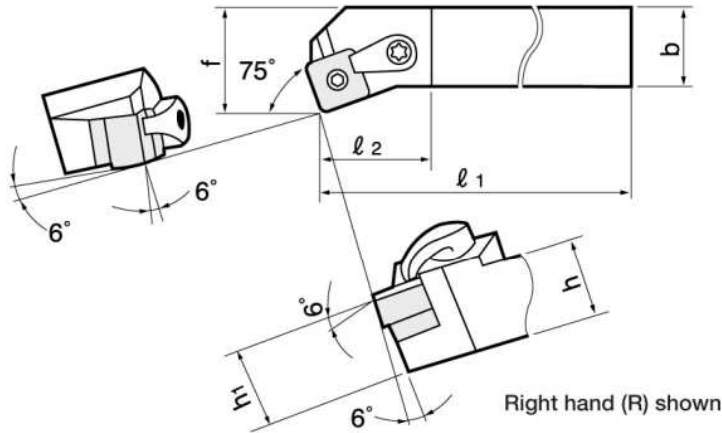


Facing

MSKN R/L

Cutting edge style **K**



● **Basic-choice chipbreaker**

Appl.	Precision finishing	Finishing	Medium cutting	Roughing
Type	TF	TS	TM	TH
Shape	(12)	(12)	(12)	(12)
Appl.	Heavy cutting	Medium cutting	Medium cutting	
Type	65	SM	CM	Ceramics
Shape	(12)	(12)	(12)	(1204, 07)

For details see pp. 61 - 67

Cat. No.	Stock		Insert	Std. Corner R	Dimensions (mm)							Shim	Lock pin	Shim screw	Clamp	Clamping screw	Breaker piece	Lock pin wrench	Wrench
	R	L			h	b	l ₁	l	h ₁	f	f ₁								
MSKNR/L2020K12			SN□□1204□□	0.8	20	20	125	29	20	25	—	MSS-432	MLP46	—	MCPM-21	MCS625-3	—	P-2.5F	P-3
MSKNR/L2525M12					25	25	150	29	25	32	—			(MSP-6.3)			(CBS-4M)		
MSKNR/L2020K12C			SN□□1207□□		20	20	125	29	20	25	—	MSS-432	—	MSP-6.3	MCPM-21	MCS625-3	CBS-4M	P-2.5F	P-3
MSKNR/L2525M12C			(SN□□1206□□)		25	25	150	29	25	32	—	(MSS-442)	(MLP46L)						

Note : Parts in parenthesis are optional parts. For part assembly see p. 157.