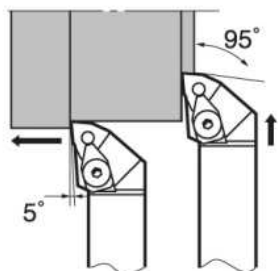
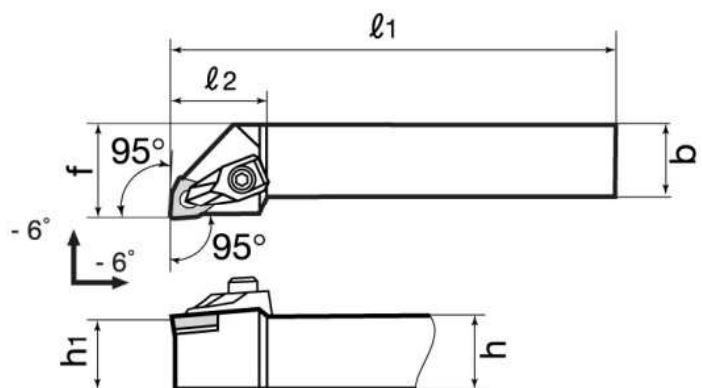


Turning • Facing

AWLN R/L



Cutting edge style **L**



Right hand (R) shown

● Basic-choice chipbreaker

Appl.	Precision finishing	Finishing	Medium cutting	Roughing
Type	TF	TS	TM	TH
Shape	(08)	(08)	(08)	(08)

Appl.	Medium cutting	Medium cutting	Medium cutting	
Type	SM	CM	All-round	
Shape	(08)	(08)	(08)	

For details see pp. 78 - 82

Cat. No.	Stock		Insert	Std. Corner R	Dimensions (mm)						Shim	Spring pin	Spring	Clamp	Clamping screw	Wrench	
	R	L			h	b	l1	l2	h1	f	f1						
AWLNR/L2020K08	●	●	WN□□0804□□ -57 type chipbreaker cannot be used	0.8	20	20	125	31	20	25	-	LSW42	LSP4	BP-9	ACP4	ACS4	P-4
AWLNR/L2525M08	●	●			25	25	150	31	25	32	-						