

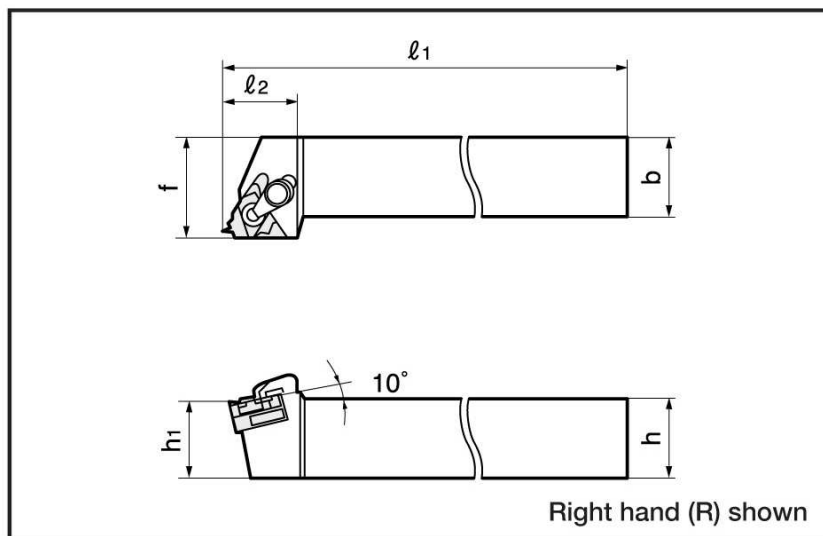
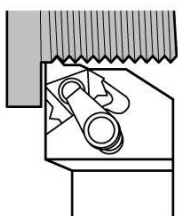
CE-type Toolholder

Dual clamping: Screw-on and clamp-on

Standard shims for CE/L type can be used for both the left hand and right-hand toolholder. Use either of the sides depending on the hand.

External threading

CE R/L DT



Cat. No.	Stock		Insert	Dimensions (mm)						Clamping-set	Shim	Shim screw	Clamping screw	Wrench	
	R	L		h	b	ℓ_1	ℓ_2	h ₁	f						f ₁
CER/L1212H16DT	●	○	16ER/L□□□□	12	12	100	22	12	16	—	CSP16	GX16-1DT	DTS5-3.5	CSTB-3.5ST	T-15F P-3.5
CER/L1616H16DT	●	○		16	16			16	20	—					
CER/L2020K16DT	●	○		20	20	125	20	25	—						
CER/L2525M16DT	●	○		25	25	150	25	32	—						
CER/L2525M22DT	●	○	22ER/L□□□□	25	25	150	28	25	32	—	CSP22	GX22-1DT	DTS6-4	CSTB-4ST	T-15F T-20F P-4

Note: Standard shim is used for both right and left hand toolholder.

Thread types	Reference guide
P. 230	