

ABSOLUTE Digimatic Indicator ID-S

SERIES 543 — with Economical Design

FEATURES

- As compact as standard Series 2 dial indicators.
- The ID-S indicates the absolute position of the spindle from the origin point at power-on, allowing to start measurements.
- After the initial zero-setting with the ORIGIN button, the repeated absolute positioning is no longer necessary over the entire battery life.
- Measurement error due to spindle over-speed is eliminated with the ABSOLUTE Encoder.
- SPC data output.

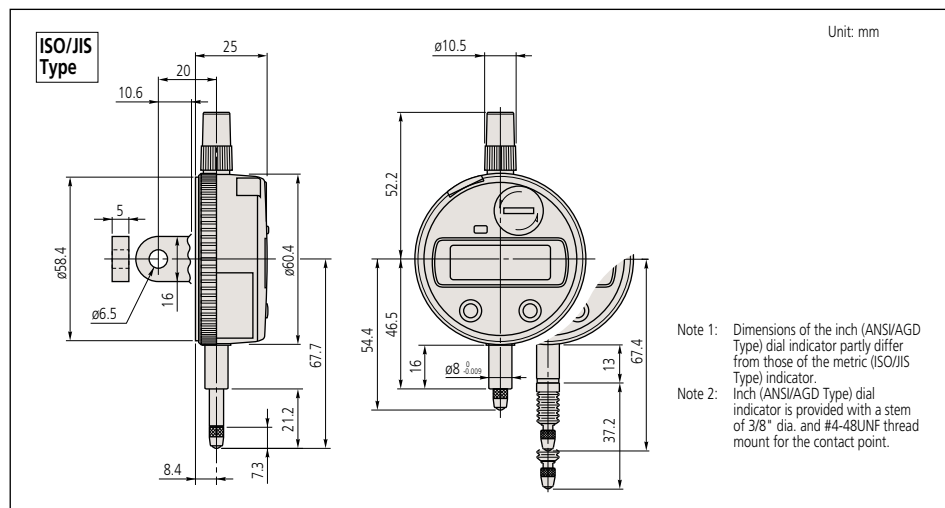


SPECIFICATIONS

Metric						
Resolution	Order No. (w/ lug, flat-back)	Range	Accuracy	Measuring force	Remarks	
0.001mm	543-690	543-690B	12.7mm	0.003mm	2.0N or less	—
0.001mm	543-694	543-694B	12.7mm	0.003mm	2.5N or less	Dust-proof
0.01mm	543-681	543-681B	12.7mm	0.02mm	2.0N or less	—

Inch/Metric						
Resolution	Order No. (w/ lug, flat-back)	Range	Accuracy	Measuring force	Remarks	
.00005"/0.001mm	543-691	543-691B	.5"	.00012"	2.0N or less	—
.00005"/0.001mm	543-695	543-695B	.5"	.00012"	2.5N or less	Dust-proof
.00005"/0.001mm	543-692	543-692B	.5"	.00012"	2.0N or less	—
.00005"/0.001mm	543-696	543-696B	.5"	.00012"	2.5N or less	Dust-proof
.0001"/0.001mm	543-693	543-693B	.5"	.00012"	2.0N or less	—
.0005"/0.01mm	543-682	543-682B	.5"	.0008"	2.0N or less	—
.0005"/0.01mm	543-683	543-683B	.5"	.0008"	2.0N or less	—

DIMENSION



(Refer to the page 9 for details.)

Technical Data

Accuracy: Refer to the list of specifications (excluding quantizing error)

Resolution: 0.01mm, 0.001mm, .0005"/0.01mm, .0001"/0.001mm or .00005"/0.001mm

Display: LCD

Length standard: ABSOLUTE electrostatic capacitance type linear encoder

Max. response speed: Unlimited

Measuring force: Refer to the list of specifications

Stem dia.: 8mm (ISO/JIS type) or 3/8" (ANSI/AGD type)

Contact point: Carbide ball with M2.5x0.45 (ISO/JIS type) Carbide ball with #4-48UNF (ANSI/AGD type)

Battery: SR44 (1 pc.), **938882**

Battery life: Approx. 20,000 hours under normal use

Dust/Water protection level: IP42 (IP53: **543-694, 543-695, 543-696**)

Function

Origin-set, Zeraset, Counting direction switching, Power ON/OFF, Data output, inch/mm conversion (inch/mm models)

Alarm: Low voltage, Counting value composition error, Over-flow error

Optional Accessory

- 905338**: SPC cable (1m)
- 905409**: SPC cable (2m)
- 903424**: Spindle lifting lever (ISO/JIS type)
- 903425**: Spindle lifting lever (ANSI/AGD type)
- 540774**: Spindle lifting cable
- 125317**: Spare rubber boot (for dust-proof type)
- 02ACB610**: Back with post
- 02ACB630**: Adjustable back
- 02ACB640**: Back with offset lug
- 02ACB650**: Magnetic back
- 02ACB670**: Back with screw mount
- 02ACB680**: Back with adjustable bracket
- : Contact points (See page 264.)