



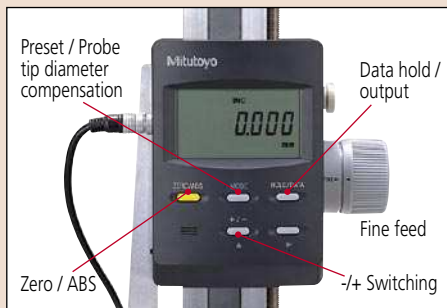
(Refer to the page 9 for details.)

### Technical Data

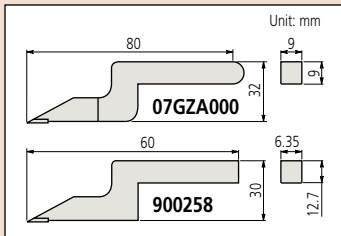
Accuracy: Refer to the list of specifications.  
(excluding quantizing error for digital models)  
Repeatability: 0.001mm  
Resolution: 0.001mm or .0001"/0.001mm  
Display: LCD, 6-digit  
Power supply: Via AC adapter

### Function

Zero-setting, Presetting, Probe tip diameter compensation, +/- switching, Data hold, Data output, inch/mm conversion (inch/mm models)  
Alarm: Counting value composition error



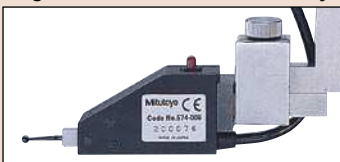
### Dimensions of Optional Scribers



### Optional Accessory

- 936937: SPC cable (1m)
- 965014: SPC cable (2m)
- 900321: Swivel clamp for dial test indicator (metric)
- 900322: Swivel clamp for dial test indicator (inch)
- 953638: Holding bar for swivel clamp (metric)
- 953639: Holding bar for swivel clamp (inch)
- 07GZA000: Carbide-tipped scriber (metric)
- 900258: Carbide-tipped scriber (inch)
- 145250:  $\varnothing$ 1mm contact point for touch-signal probe
- 145251:  $\varnothing$ 2mm contact point for touch-signal probe

### Touch-Signal Probe (Standard accessory)



#### Order No.: 574-006

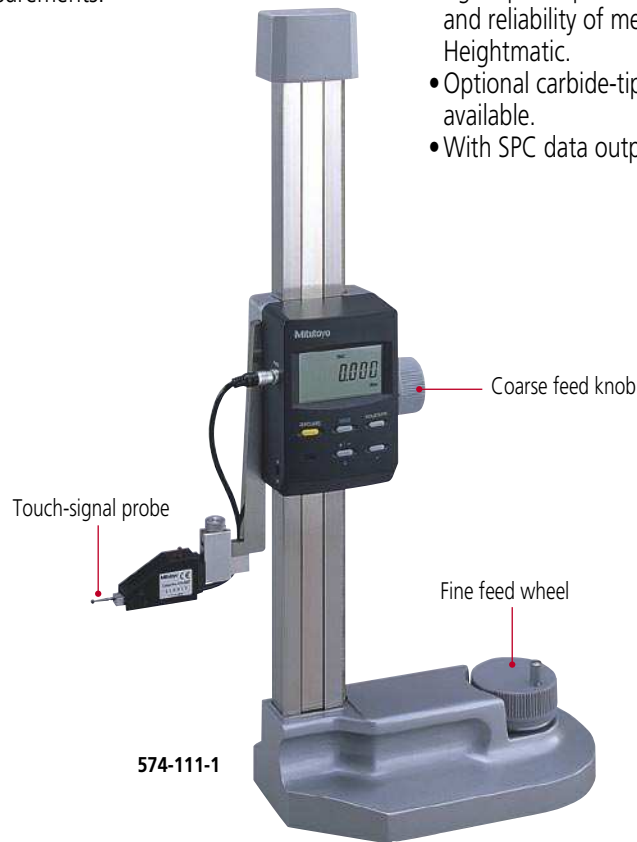
- Two-directional type
- Over travel: Less than 3mm
- Contact point:  $\varnothing$ 3mm ball
- Repeatability: 0.0015mm
- Measuring force: 0.4N

# Heightmatic

## SERIES 574 — High Precision Height Gage

### FEATURES

- Provides resolution of 0.001mm on the large LCD readout for accurate measurements.
- Excellent functionality and easy operation.
- The standard two-directional touch-signal probe provides improved efficiency and reliability of measurement for the Heightmatic.
- Optional carbide-tipped scribers are available.
- With SPC data output.



### SPECIFICATIONS

Metric		
Range	Order No.*	Accuracy
0 - 300mm	574-112-1	$\pm$ 0.004mm
0 - 450mm	574-111-1	$\pm$ 0.004mm
0 - 600mm	574-110-1	$\pm$ 0.005mm

\* To denote your AC line voltage add the following suffixes to the order No. **A** for 120V **D** for 220V **E** for 240/220V **K** for Korea **DC** for China  
**No suffix** is required for 100V

Inch/Metric		
Range	Order No.*	Accuracy
0 - 12"	574-212-1	$\pm$ .0002"
0 - 18"	574-211-1	$\pm$ .0002"
0 - 24"	574-210-1	$\pm$ .0002"

\* To denote your AC line voltage add the following suffixes to the order No. **A** for 120V **D** for 220V **E** for 240/220V **K** for Korea **DC** for China  
**No suffix** is required for 100V

### DIMENSION

