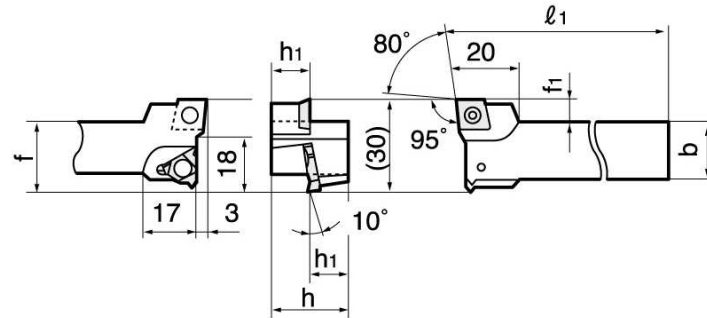
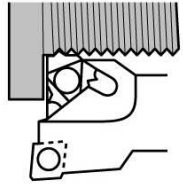


Screw-on type for gang tooling

External threading

BC-SE R/L



Right hand (R) shown

Cat. No.	Stock		Insert	Dimensions (mm)						Clamping-set	Shim set		Clamping screw	Wrench	
	R	L		h	b	ℓ ₁	ℓ ₂	h ₁	f		f ₁	R			L
BC-SER/L12K16	○		16ER/L□□□□ CC□T09T3□□	24	16	125	—	12	23	7	—	—	—	CSTB-3.5	T-15F
BC-SER/L16M16				32	20	150	—	16	25	5	—	—	—		