

# ABSOLUTE Digimatic Height Gage

**SERIES 570 — with ABSOLUTE Linear Encoder**

## FEATURES

- Built-in ABSOLUTE linear encoder  
This encoder eliminates the necessity of setting the reference point at every power-on. It has improved reliability because no over-speed error will occur.
- Fine-adjustment carriage to feed the slider finely.
- Carbide-tipped scriber is provided.
- With SPC data output.



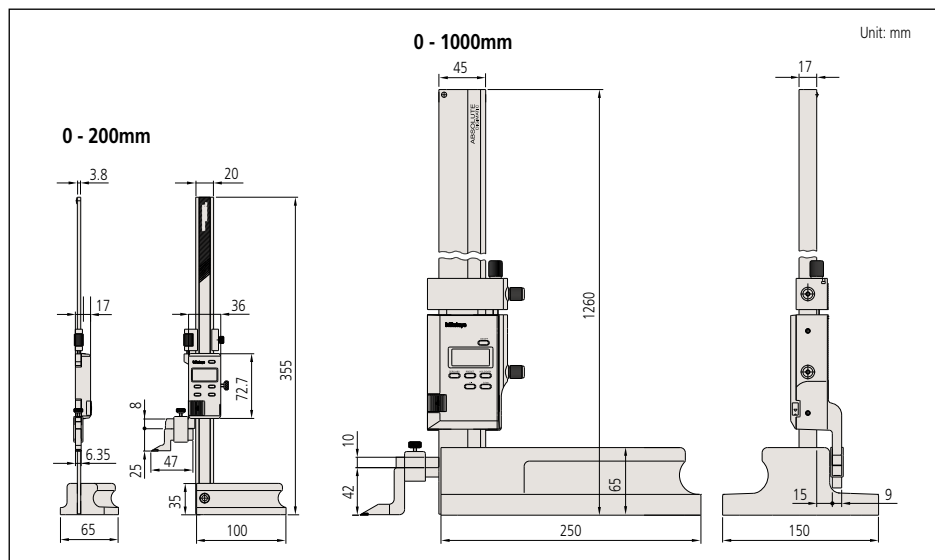
570-227

## SPECIFICATIONS

Metric		
Range	Order No.	Accuracy
0 - 200mm	570-227	±0.03mm
0 - 1000mm	570-230	±0.07mm

Inch/Metric		
Range	Order No.	Accuracy
0 - 8"	570-244	±.001"
0 - 40"	570-248	±.003"

## DIMENSION



(Refer to the page 9 for details.)

## Technical Data

Accuracy: Refer to the list of specifications.  
(excluding quantizing error for digital models)  
Resolution: 0.01mm or .0005"/0.01mm  
Display: LCD, 6-digit  
Length standard: ABSOLUTE electrostatic capacitance type linear encoder  
Max. response speed: Unlimited  
Battery: SR44 (1 pc.), **938882**  
Battery life: Approx. 5000 hours under normal use

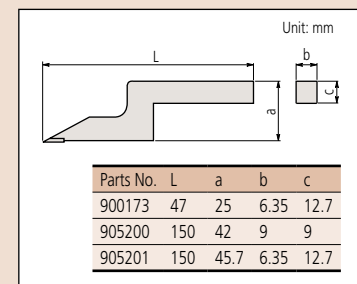
## Function

Origin setting, ABS/INC switching, Presetting, +/- switching, Data hold, Data output, inch/mm conversion (inch/mm models)  
Alarm: Low voltage, Counting value composition error

## Standard Scriber Provided

Metric models: Carbide-tipped scriber  
**(900173/905200\*)** and scriber clamp  
**(901338/05GZA033\*)**  
\*0 - 1000mm model  
Inch/Metric models: Carbide-tipped scriber  
**(900173/905201\*)** and scriber clamp  
**(901338/901385\*)**  
\*0 - 40" model

## Dimension of scriber



## Optional Accessory

- 905338:** SPC cable (1m)
- 905409:** SPC cable (2m)
- 953638:** Holding bar for test indicator (length: 50mm)
- 953639:** Holding bar for test indicator (length: 2")
- 902053:** Swivel clamp used with holding bar (metric)
- 900322:** Swivel clamp used with holding bar (inch)