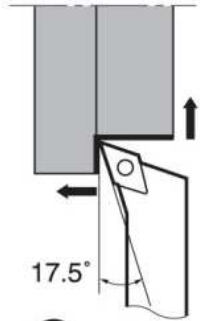
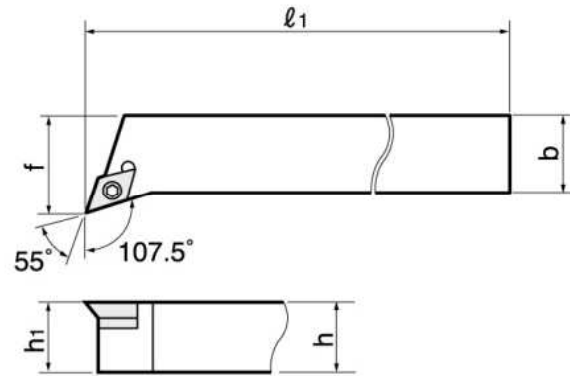


# Profiling

## SDQC R/L



Cutting edge style **Q**



Right hand (R) shown

### ● Basic-choice chipbreaker

Appl.	Finishing to medium cutting	Finishing	Finishing to medium cutting	Medium cutting
Type	W□□	PF	PS	PM
Shape	(11)	(11)	(11)	(11)

Appl.	Precision finishing	Finishing to medium cutting	Finishing to medium cutting	Aluminium
Type	PCBN/PCD	J□□	—	AL
Shape	(11)	(11)	(11)	(11)

For details see pp. 98 - 101

Cat. No.	Stock		Insert	Std. Corner R	Dimensions (mm)							Clamping screw	Wrench	Shim	Shim screw	Wrench
	R	L			h	b	l1	l2	h1	f	f1					
SDQCR/L2020K11	●	●	DC□□11T3□□	0.8	20	20	125	—	20	25	—	CSTB-3.5L	T-15F	SSD32	DTS5-3.5	P-3.5
SDQCR/L2525M11	○				25	25	150	—	25	32	—					