

Quick-Setting Outside Micrometers

SERIES 293,102

FEATURES

- 1mm spindle thread pitch for quick setting.
- The measurement can be read directly from the thimble due to the 100 step graduation.
- With Ratchet Thimble or Ratchet Stop for constant force.
- With a standard except for 25mm model.
- With SPC output (series 293).



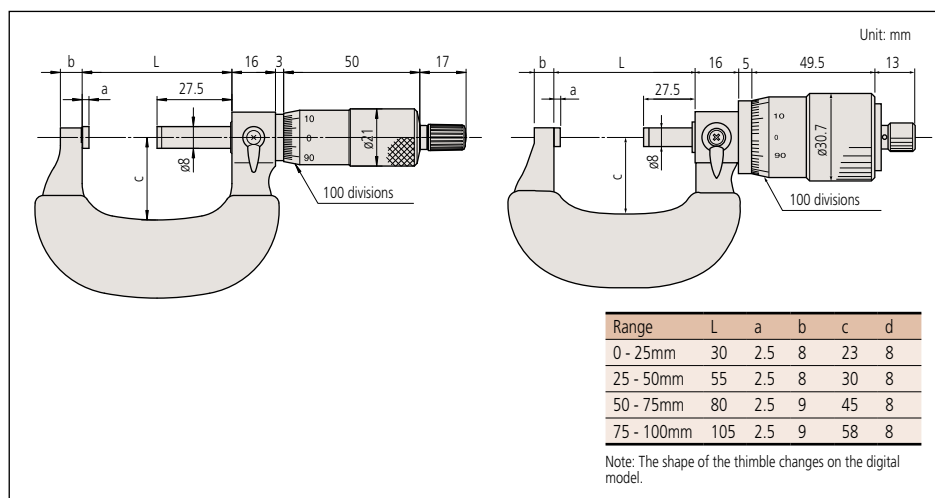
SPECIFICATIONS

| Metric Digital model with ratchet stop | | |
|--|------------|----------|
| Range | Order No. | Accuracy |
| 0 - 25mm | 293-151-30 | ±1μm |
| 25 - 50mm | 293-152-30 | ±1μm |
| 50 - 75mm | 293-153-30 | ±1μm |
| 75 - 100mm | 293-154-30 | ±2μm |

| Metric With ratchet thimble | | |
|-----------------------------|-----------|----------|
| Range | Order No. | Accuracy |
| 0 - 25mm | 102-650 | ±2μm |
| 25 - 50mm | 102-651 | ±2μm |
| 50 - 75mm | 102-652 | ±2μm |
| 75 - 100mm | 102-653 | ±3μm |

| Metric With ratchet stop | | |
|--------------------------|-----------|----------|
| Range | Order No. | Accuracy |
| 0 - 25mm | 102-450 | ±2μm |
| 25 - 50mm | 102-451 | ±2μm |

DIMENSION



Technical Data

Accuracy: Refer to the list of specifications.
(excluding quantizing error for digital models)
Resolution*: 0.001mm
Graduation**: 0.01mm
Flatness: 0.6μm
Parallelism: 1μm (digital), 2μm (analog)
Measuring faces: Carbide tipped
Display*: LCD
Battery*: SR44 (1pc.), 938882
Battery life*: Approx. 1.2 years under normal use
*Digital models **Analog models

Function of Digital Model

Origin-set, Zero-setting, Data hold, Data output
Alarm: Low voltage, Counting value composition error

Optional Accessory for Digital Model

937387: SPC cable (1m)
965013: SPC cable (2m)