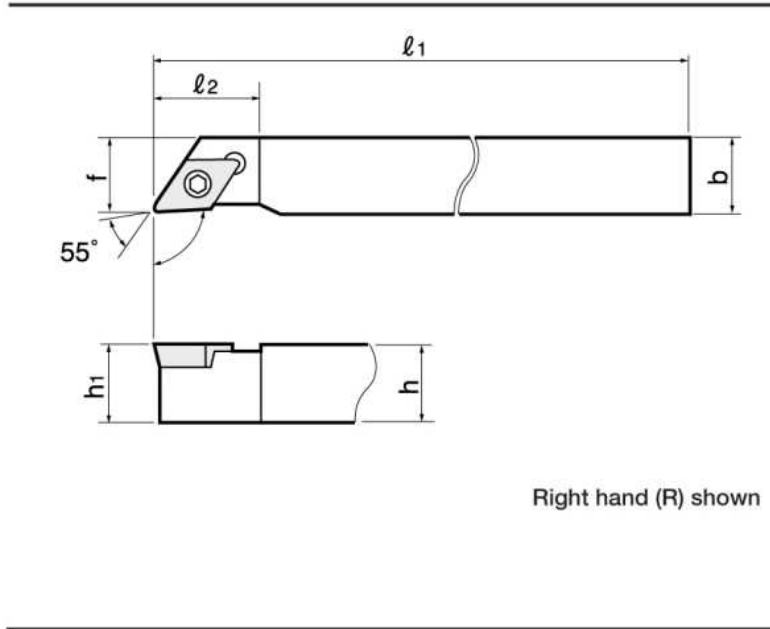


Profiling

SDJ2C R/L

Cutting edge style **J**



● Basic-choice chipbreaker

Appl.	Finishing to medium cutting	Finishing	Finishing to medium cutting	Medium cutting
Type	W□□	PF	PS	PM
Shape	(07)	(07)	(07)	(07)
Appl.	Precision finishing	Finishing to medium cutting	Finishing to medium cutting	Aluminium
Type	PCBN/PCD	J□□	—	AL
Shape	(07)	(07)	(07)	(07)

For details see pp. 98 - 101

Cat. No.	Stock		Insert	Std. Corner R	Dimensions (mm)						Clamping screw	Wrench	Shim	Shim screw	Wrench	
	R	L			h	b	l1	l2	h1	f						f1
SDJ2CR/L1010H			DC□□0702□□	0.4	10	10	100	14	10	10	—	CSTB-2.5	T-8F	—	—	—
SDJ2CR/L1010K07					10	10	125	14	10	10	—					
SDJ2CR/L1212H					12	12	100	14	12	12	—					
SDJ2CR/L1212K07					12	12	125	14	12	12	—					