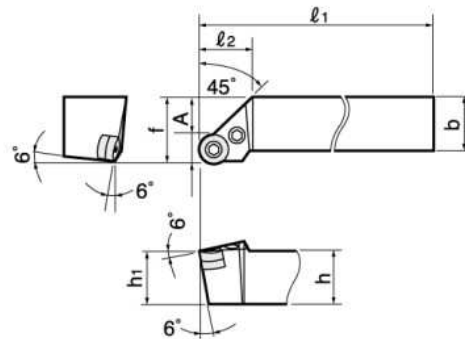


**Profiling**  
**PRGN R/L**

Cutting edge style **G**



● **Basic-choice chipbreaker**

Appl.	Heavy cutting			
Type	<b>61</b>			
Shape	(12)			

For details see p. 88

Cat. No.	Stock		Insert	Std. Corner R	Dimensions (mm)						Shim	Spring pin	Lever	Clamping screw	Wrench	
	R	L			h	b	l <sub>1</sub>	l <sub>2</sub>	h <sub>1</sub>	f	A					
PRGNR/L2020K09E	●	●	RNMG090300-61	-	20	20	125	19	20	25	(9.52)	ELSR32	LSP3L	LCL33	LCS3	P-2.5
PRGNR/L2525M09E	●	●			25	25	150	25	25	32	(9.52)					
PRGNR/L2525M12E	●	●	RNMG120400-61		25	25	150	25	25	32	(12.7)					