

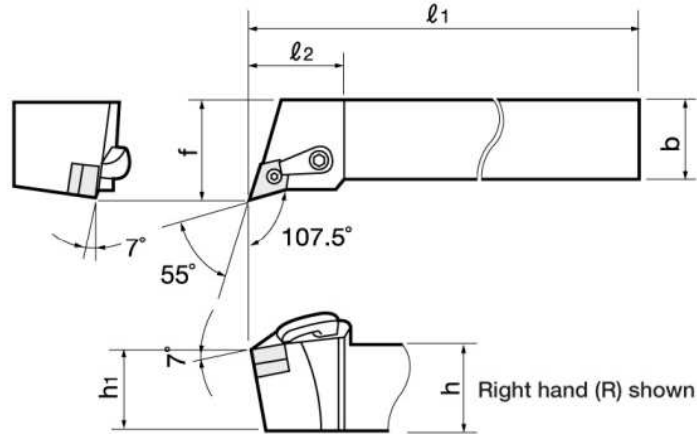
M-type ___ Negative rake • Multi-clamp type

TAC Toolholder

Profiling

MDQN R/L

Cutting edge style **Q**



● **Basic-choice chipbreaker**

Appl.	Precision finishing	Finishing	Medium cutting	Roughing
Type	TF	TS	TM	TH
Shape				
	(1504)	(1504, 06)	(11, 1504, 06)	(1504, 06)
Appl.	Medium cutting	Medium cutting		Precision finishing
Type	SM	CM	Ceramics	PCBN/PCD
Shape				
	(1504, 06)	(1504, 06)	(1504)	(1504, 06)

For details see pp. 52 - 59

Cat. No.	Stock		Insert	Std. Corner R	Dimensions (mm)						Shim	Lock pin	Shim screw	Clamp	Clamping screw	Breaker piece	Lock pin wrench	Wrench		
	R	L			h	b	l1	l	h1	f	f1									
MDQNR/L1616H11			DN□□1104□□	0.8	16	16	100	30	16	20	—	MSD-322	MLP34L	—	MCPM-20	MCS620-3	—	P-2F	P-3	
MDQNR/L2020K15	●	●			20	20	125	38	20	25	—									
MDQNR/L2525M15	●	△	DN□□1506□□		25	25	150	38	25	32	—	MSD-432	MLP46L	—	MCPM-22	MCS625-3	—	P-2.5F	P-3	
MDQNR/L3225P15					32	25	170	38	32	32	—									
MDQNR/L3232P15	△		(DN□□1504□□)		32	32	170	38	32	40	—	(MSD-442)		(MSP-6.3)			(CBD-4MR/L)			

Note : Parts in parenthesis are optional parts. For part assembly see p. 157.