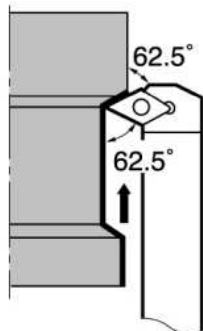
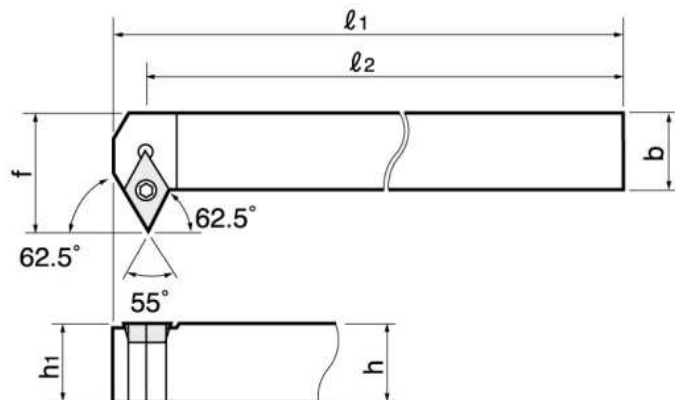


Profiling

SDN3C R/L



Cutting edge style **N**



Right hand (R) shown

● Basic-choice chipbreaker

Appl.	Finishing to medium cutting	Finishing	Finishing to medium cutting	Medium cutting
Type	W□□	PF	PS	PM
Shape	(07, 11)	(07, 11)	(07, 11)	(07, 11)

Appl.	Precision finishing	Finishing to medium cutting	Finishing to medium cutting	Aluminium
Type	PCBN/PCD	J□□	—	AL
Shape	(07, 11)	(07, 11)	(07, 11)	(07, 11)

For details see pp. 98 - 101

Cat. No.	Stock		Insert	Std. Corner R	Dimensions (mm)							Clamping screw	Wrench	Shim	Shim screw	Wrench
	R	L			h	b	l1	l2	h1	f	f1					
SDN3CR/L1212H			DC□□0702□□	0.4	12	12	100	105	12	18	—	CSTB-2.5	T-8F	—	—	—
SDN3CR/L1616H			DC□□11T3□□	0.8	16	16	100	107	16	25	—	CSTB-4	T-15F	—	—	—