



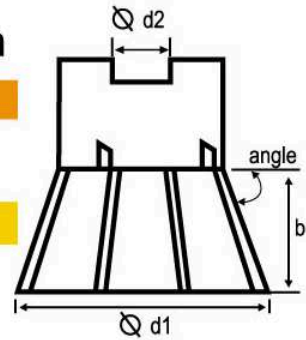
ANGLE MILLING CUTTER

CC

焊刃式角度銑刀

unit:mm

Order Code.	d1	b	Z	Angle	d2
CC-075350860	75	35	8	60°	25.4
CC-100351060	100	35	10	60°	31.75
CC-100451060	100	45	10	60°	31.75



CC

MG Micro	Z Flute	H6	BW NORM
-------------	------------	----	------------