



CHUCK

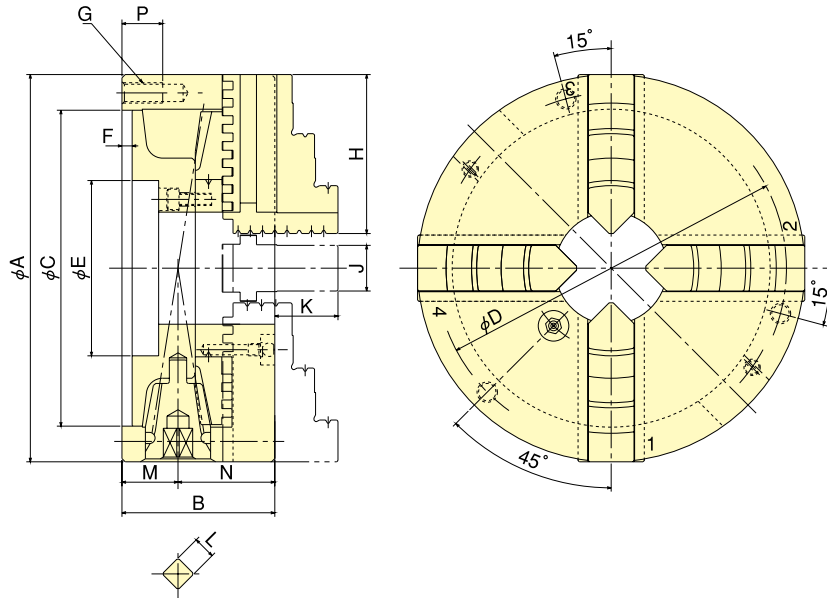
4-Jaw Scroll Chuck JS series

Reliable and effective gripping of irregularly shaped components

- Thin walled materials ensure minimal distortion, even with thin-walled cylindrical pipe
- Straight recess
Mounting dimensions are the same as the JN type.



Dimensional Drawings



Dimensions

Type	Size	A	B	C Size	C Tolerance	D Size	D Tolerance	E	F	G	H	J	K	L Size	L Tolerance	M	N	P
JS07	190	75	155	$^{+0.025}_0$	172	± 0.2	55	5	3-M10	78	22.4	31	11	$^{+0.15}_{+0.05}$	27.5	47.5	20	
JS09	232	84	190	$^{+0.029}_0$	210	± 0.2	70	6	3-M12	88	26.4	33	12	$^{+0.15}_{+0.05}$	29.5	54.5	23	

Specifications

Type	Spec.	Thru-Hole mm	Max. static gripping force kN(kgf)	Max. speed min ⁻¹ (r.p.m)	Weight kg	Moment of inertia kg·m ²	Gripping range		Handle torque N·m(kgf·m)
							Outer dia. φ mm	Inner dia. φ mm	
JS07		55	31.0 (3161)	3500	12.5	0.063	4~180	56~170	107.9 (11.0)
JS09		70	37.0 (3773)	2900	21.5	0.163	5~220	62~210	147.0 (15.0)