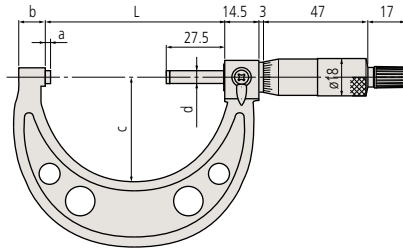


## DIMENSION AND MASS

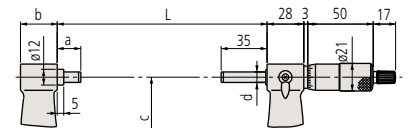
### Models up to 300mm



Range	L	a	b	c	d
0 - 25mm	30.3	2.8	9	28	ø6.35
25 - 50mm	55.3	2.8	10	38	ø6.35
50 - 75mm	80.3	2.8	12	49	ø6.35
75 - 100mm	105.3	2.8	14	60	ø6.35
100 - 125mm	132.8	5.3	17	79	ø6.35
125 - 150mm	158.2	5.7	19	94	ø6.35
150 - 175mm	183.6	6.1	20	106	ø6.35
175 - 200mm	208.8	6.3	19	118	ø6.35
200 - 225mm	234.2	6.7	18	130	ø6.35

### Models over 300mm

Unit: mm



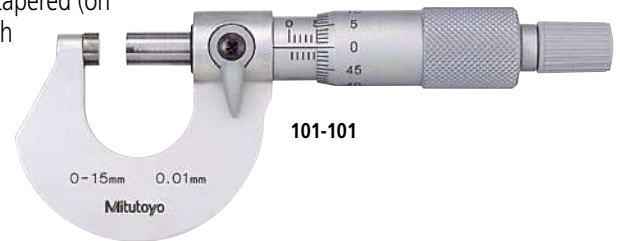
Range	L	a	b	c	d
225 - 250mm	258	5.5	18	143	ø6.35
250 - 275mm	284	6.5	18	156	ø6.35
275 - 300mm	309	6.5	18	169	ø6.35
300 - 325mm	353	18	28	187	ø8
325 - 350mm	378	18	28	199	ø8
350 - 375mm	403	18	28	212	ø8
375 - 400mm	428	18	28	224	ø8
400 - 425mm	453	18	28	236	ø8
425 - 450mm	478	18	28	248	ø8
450 - 475mm	503	18	28	261	ø8
475 - 500mm	528	18	28	273	ø8

# Outside Micrometers

## SERIES 101

### FEATURES

- Satin-chrome-finished frame, tapered (on the anvil side) for hard-to-reach places.
- With a standard except for .5"/1" models.



101-101

### SPECIFICATIONS

**Metric** With ratchet stop

Range	Order No.	Accuracy
0 - 15mm	101-101	±2µm
	101-227*	±2µm

\*0.001mm reading is obtained with vernier.

**Inch** With ratchet stop

Range	Order No.	Accuracy
0 - 1"	101-105	±.0001"
	101-113*	±.0001"
1" - 2"	101-106	±.0001"
	101-114*	±.0001"
2" - 3"	101-119*	±.0001"
3" - 4"	101-120*	±.00015"

\*.0001" reading is obtained with vernier.

**Inch** With friction thimble

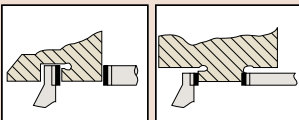
Range	Order No.	Accuracy
0 - 1"	101-109	±.0001"
	101-117*	±.0001"
1" - 2"	101-110	±.0001"
	101-118*	±.0001"

\*.0001" reading is obtained with vernier.

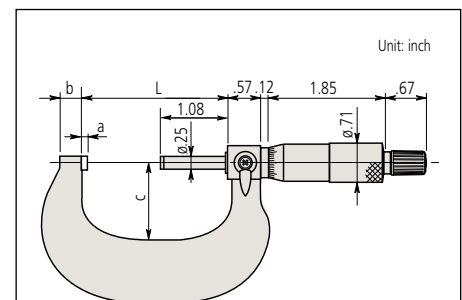
### Technical Data

Accuracy: Refer to the list of specifications.  
 Graduation: 0.01mm, 0.001mm, .001" or .0001"  
 Flatness: 0.6µm  
 Parallelism: 1.3µm (.00005") for models up to 15mm  
 .00008" for models up to 3"  
 .00012" for models over 3"

Measuring faces: Carbide tipped



### DIMENSION



Unit: inch

Range	L	a	b	c
0 - 1"	1.18	.10	.20	1.10
1 - 2"	2.16	.08	.31	1.28
2 - 3"	3.19	.11	.33	1.77
3 - 4"	4.19	.11	.33	2.28

Note: The shape of the thimble changes on the model with friction thimble.