

ABSOLUTE Digimatic Indicator ID-C

SERIES 543 — Calculation Type

FEATURES

A conventional Digimatic indicator simply displays a spindle displacement, but the Calculation-Type Digimatic indicator incorporates an internal calculation function in place of spindle displacement. With fixtures, measurements such as feeler, inside diameter and radius of curvature measurement can easily be obtained without the hassle of conversion tables or equivalents.

- The Absolute Digimatic indicator performs internal calculations using the formula $Ax+B+Cx^{-1}$ (assuming spindle displacement as x) while the specified coefficients A , B and C can be set with respect to the purpose of measurement or dimensions of the fixtures. This unique features allows you to read your measurements directly, without fumbling for conversions.



543-285B

SPECIFICATIONS

Metric			
Resolution	Order No.*	Range	Accuracy
0.0002 - 1mm (switchable)	543-285B	12.7mm	0.003mm
	543-480B	25.4mm	0.003mm
	543-485B	50.8mm	0.006mm

*Flat back

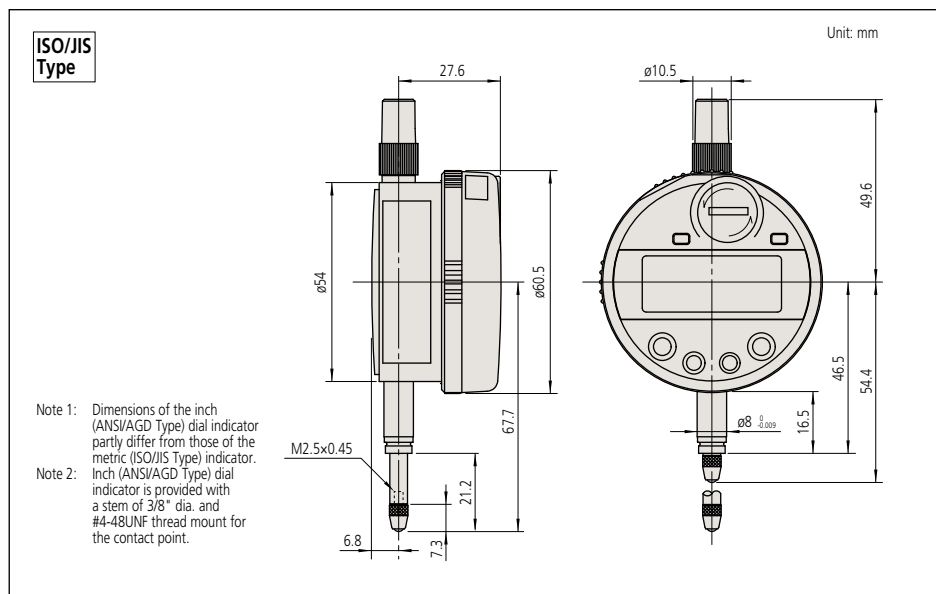
ISO/JIS type

ANSI/AGD type

Inch/Metric			
Resolution	Order No.*	Range	Accuracy
.00001" - .05"/ 0.0002 - 1mm (switchable)	543-286B	.5"	.00012"
	543-287B	.5"	.00012"
	543-481B	1"	.00012"
	543-482B	1"	.00012"
	543-486B	2"	.00025"
	543-487B	2"	.00025"

*Flat back

DIMENSION



(Refer to the page 9 for details.)

Technical Data

- Accuracy: Refer to the list of specifications (excluding quantizing error)
- Resolution: 0.0002mm - 1mm or .00001" - .05"/0.0002mm - 1mm
- Display: LCD
- Length standard: ABSOLUTE electrostatic capacitance type linear encoder
- Max. response speed: Unlimited
- Measuring force: 1.5N or less
- Stem dia.: 8mm (ISO/JIS type) or 3/8" (ANSI/AGD type)
- Contact point: Carbide ball with M2.5x0.45 (ISO/JIS type) Carbide ball with #4-48UNF (ANSI/AGD type)
- Battery: SR44 (1 pc.), 938882
- Battery life: Approx. 12 months under normal use

Function

- Origin-set/Pre-set, Zero-set, GO/±NG judgment, Counting direction switching, Power ON/OFF, Data output, inch/mm conversion (inch/mm models)
- Alarm: Low voltage, Counting value composition error, Over-flow error, Tolerance limit setting error

Optional Accessory

- 905338: SPC cable (1m)
- 905409: SPC cable (2m)
- 902011: Spindle lifting lever (ISO/JIS type)
- 540774: Spindle lifting cable
- Backs (See page 266.)
- Contact points (See page 264.)

APPLICATIONS



- Various fixtures suited for individual workpieces can be prepared.
- Measuring accuracy is subject to fixture accuracy