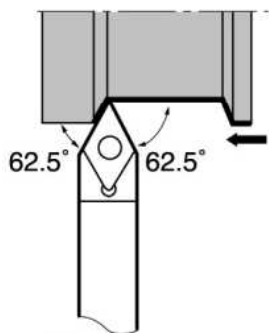
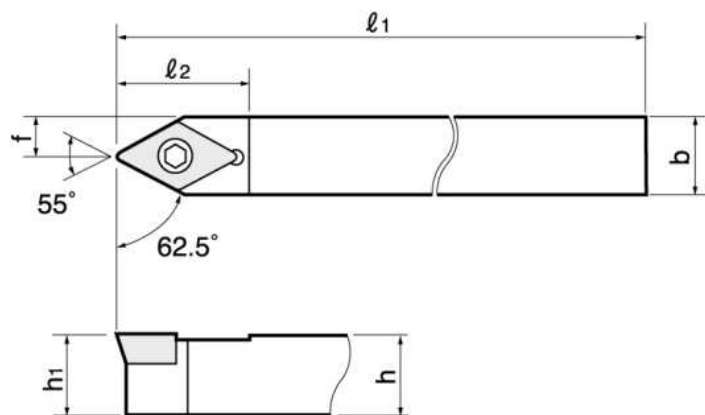


Profiling

SDNCN



Cutting edge style **N**



● Basic-choice chipbreaker

Appl.	Finishing to medium cutting	Finishing	Finishing to medium cutting	Medium cutting
Type	W□□	PF	PS	PM
Shape	(07, 11)	(07, 11)	(07, 11)	(07, 11)

Appl.	Precision finishing	Finishing to medium cutting	Finishing to medium cutting	Aluminium
Type	PCBN/PCD	J□□	-	AL
Shape	(07, 11)	(07, 11)	(07, 11)	(07, 11)

For details see pp. 98 - 101

Cat. No.	Stock	Insert	Std. Corner R	Dimensions (mm)						Clamping screw	Wrench	Shim	Shim screw	Wrench	
				h	b	l1	l2	h1	f						f1
SDNCN1010H		DC□□0702□□	0.4	10	10	100	14	10	5	-	CSTB-2.5	T-8F	-	-	-
SDNCN1010K07				10	10	125	14	10	5	-					
SDNCN1212H				12	12	100	14	12	6	-					
SDNCN1212K07				12	12	125	14	12	6	-					
SDNCN1616H		DC□□11T3□□	0.8	16	16	100	21	16	8	-	CSTB-4	T-15F	-	-	-
SDNCN1616H11	○			16	16	100	21	16	8	-					
SDNCN2020K11	○			20	20	125	21	20	10	-	CSTB-3.5L	T-15F	SSD32	DTS5-3.5	P-3.5
SDNCN2525M11	○			25	25	150	21	25	12.5	-					

Replaceable item JSDNCN p. 273