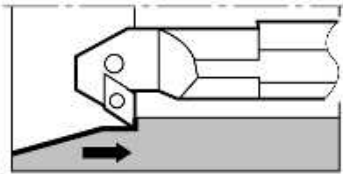


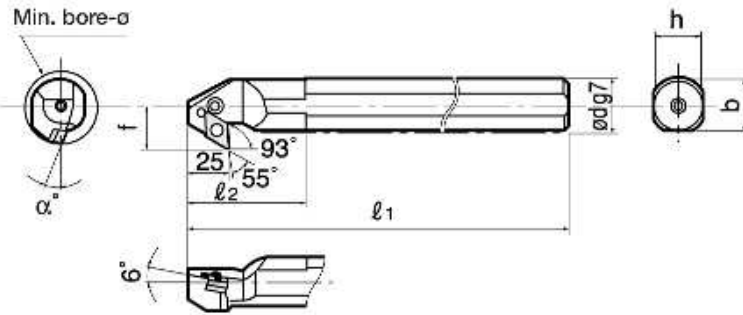
P-Type (Negative·Pin-lock type)

Boring · Profiling

PDZN R/L



Cutting edge style **Z**



Right hand (R) shown

● Basic-choice chipbreaker

Appl.	Precision finishing	Finishing	Medium cutting	Roughing
Type	TF	TS	TM	TH
Shape	(15)	(15)	(15)	(15)

Appl.	Medium cutting	Medium cutting	Precision finishing
Type	SM	CM	PCBN/PCD
Shape	(15)	(15)	(15)

For details see pp. 52 - 59

TAC Boring Tools

Shank material	Cat. No.	Stock		Insert	Min. bore dia. øD	Std. Nose R	Dimensions (mm)						Shim	Lever	Clamping screw	Spring	Wrench	
		R	L				ød	f	l ₁	l ₂	h	b						α°
Steel	S32S-PDZNR/L15E				40		32	22	250	55	30	29.5	13°					
	S40T-PDZNR/L15E			DN□□1504□□	50	0.8	40	27	300	60	37	37.5	10°					
	S50U-PDZNR/L15E				60		50	35	350	65	47	47.5	8°					