

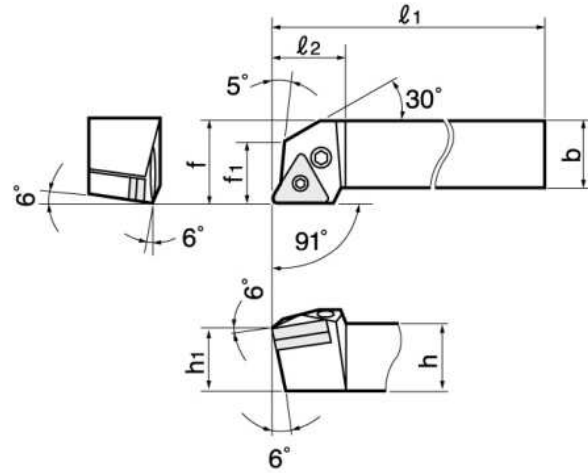
P-type — Negative rake • Pin-lock type

TAC Toolholder

Turning

PTGN R/L

Cutting edge style **G**



Right hand (R) shown

● Basic-choice chipbreaker

Appl.	Precision finishing	Finishing	Medium cutting	Roughing
Type	TF	TS	TM	TH
Shape	(16)	(16)	(16, 22)	(22)
Appl.	Heavy cutting	Medium cutting	Medium cutting	Precision finishing
Type	57	SM	CM	PCBN/PCD
Shape	(16, 22)	(16)	(16, 22)	(16)

For details see pp. 70 - 76

Cat. No.	Stock		Insert	Std. Corner R	Dimensions (mm)						Shim	Spring pin	Lever	Clamping screw	Wrench	
	R	L			h	b	l ₁	l ₂	h ₁	f	f ₁					
PTGNR/L1616H16E	●	●	TN□□1604□□	0.8	16	16	100	22	16	20	16	ELST317	LSP3	LCL33	LCS3	P-2.5
PTGNR/L2020K16E	●	●			20	20	125	22	20	25	16					
PTGNR/L2525M16E	●	●			25	25	150	22	25	32	21					
PTGNR/L3225P16E					32	25	170	22	32	32	21					
PTGNR/L2525M22E	●	●	TN□□2204□□	0.8	25	25	150	28	25	32	24	ELST42	LSP4S	LCL43M	LCS3	P-3
PTGNR/L3225P22E	●	●			32	25	170	28	32	32	24					
PTGNR/L3232P22E	●				32	32	170	28	32	40	28					
PTGNR/L3232P27E			TN□□2706□□	1.2	32	32	170	35	32	40	30	ELST53	LSP6C	LCL54	LCS5	P-3